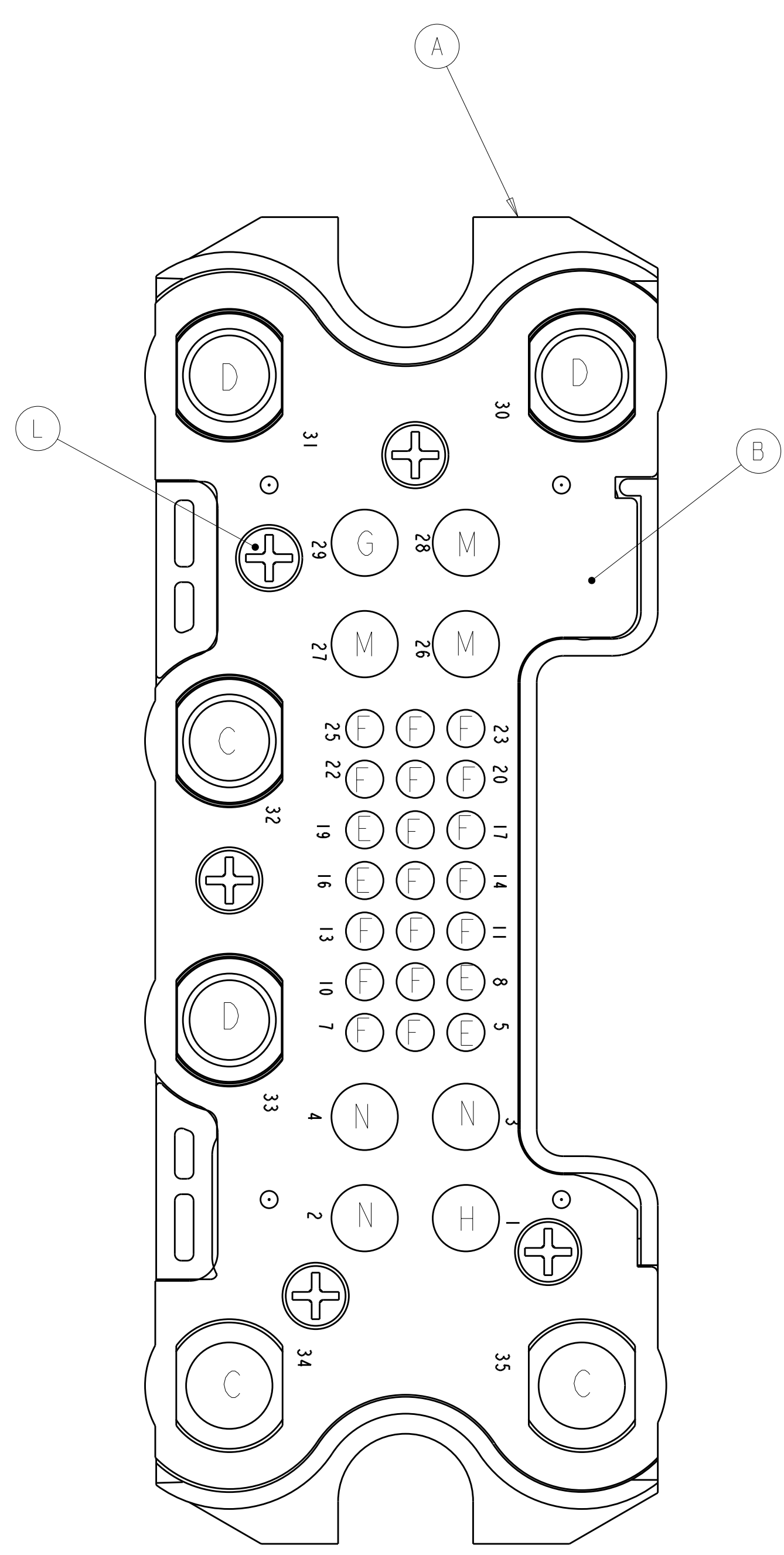
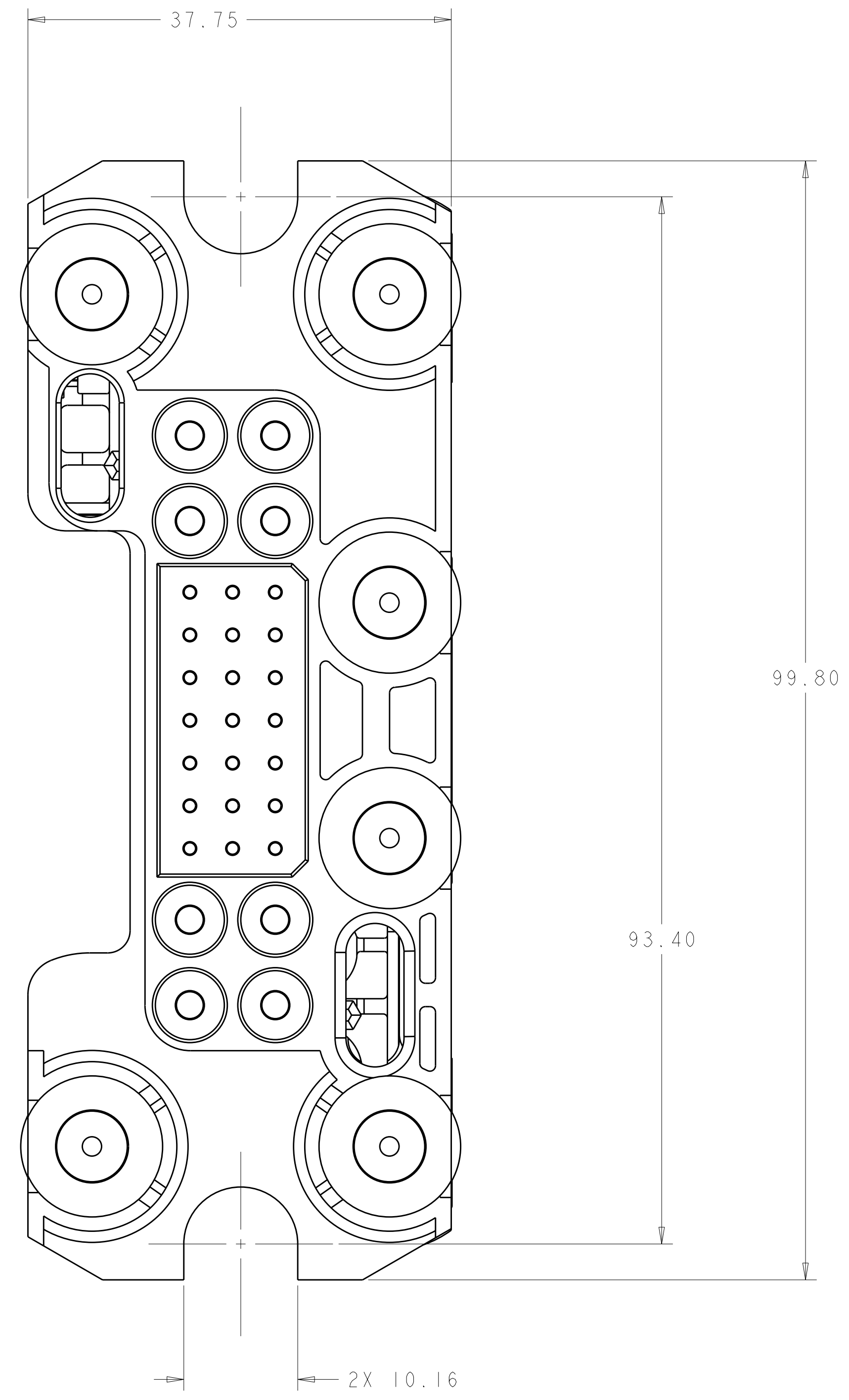
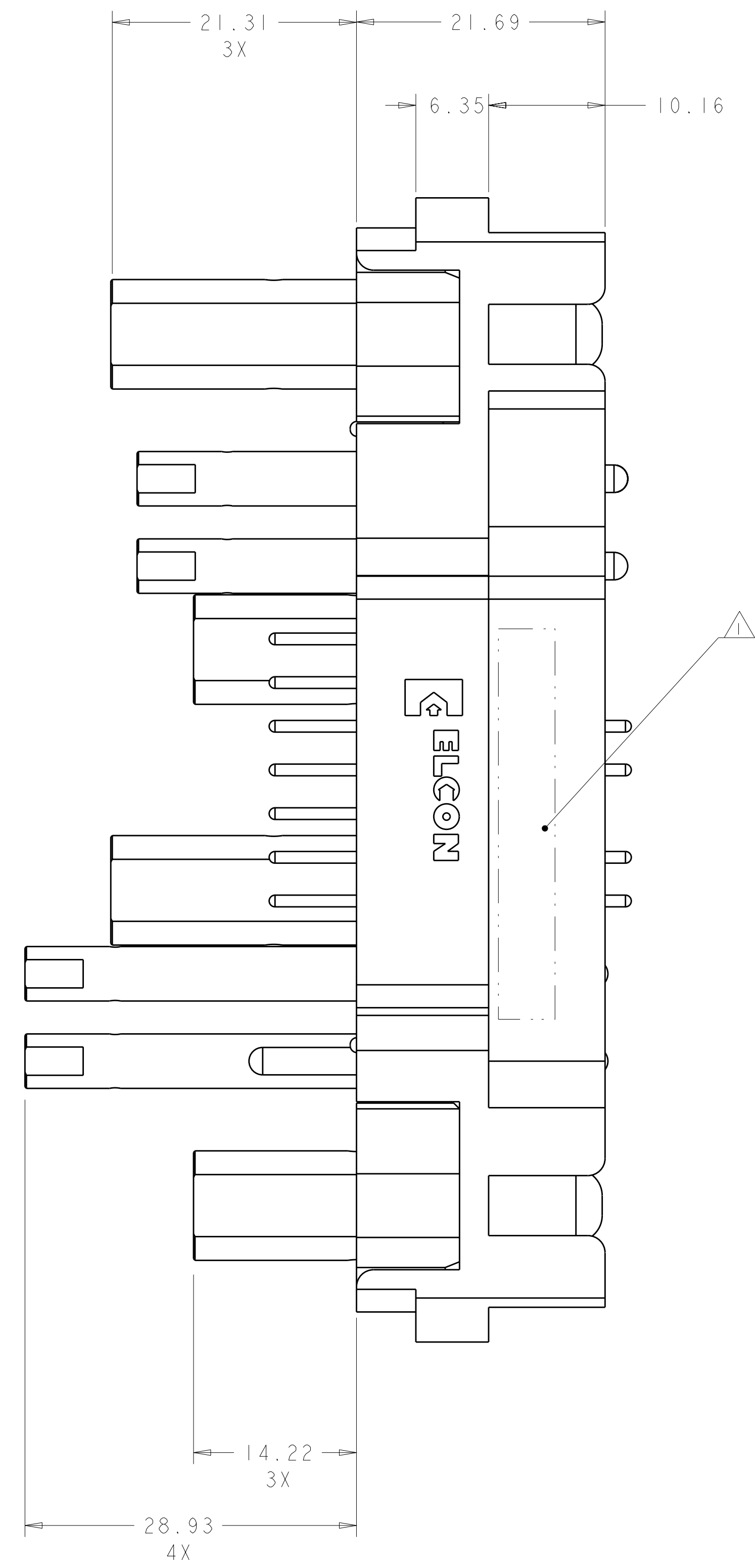


LOC	DIST	REV	DATE	DWN	APVD
GP	00				
		D	25 JUN 2009	RG	DO
		E	14 JAN 2011	RG	DO

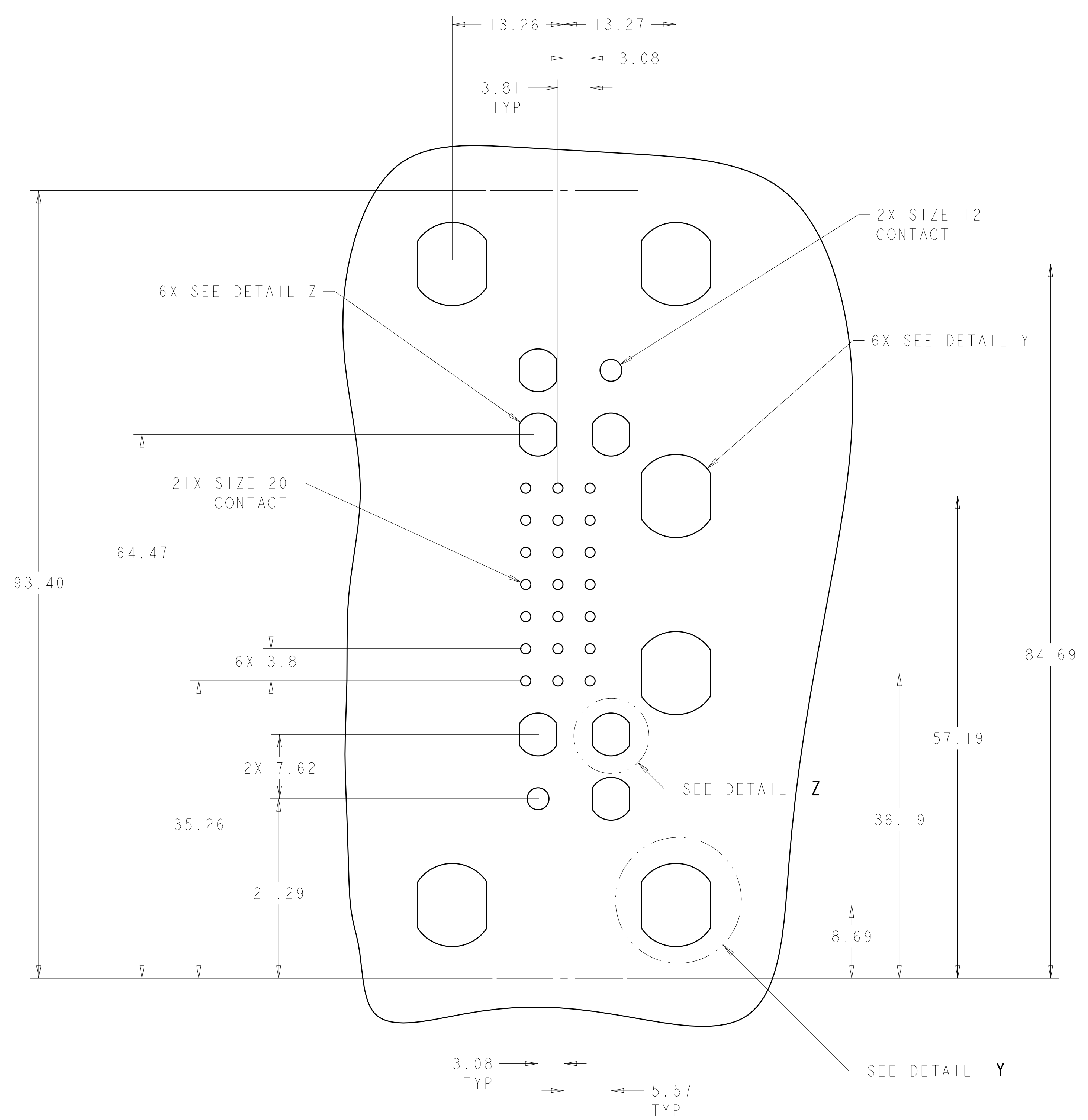


REAR VIEW
 CONTACTS REMOVED
 FOR CLARITY



DIMENSIONS: mm		TOLERANCES UNLESS OTHERWISE SPECIFIED: 9 PLC ±.5 8 PLC ±.5 5 PLC ±.25 4 PLC ±.5 ANGLES ±.5		DWN R. GRZYBOWSKI 26MAR2009 CHK D. ORRIS 26MAR2009 APVD M. PERCHERIE 26MAR2009		Tyco Electronics Harrisburg, PA 17105-3608	
MATERIAL: 3		FINISH: 4		NAME: PIN CONNECTOR ASSEMBLY SCREW MOUNT CUSTOM DRAWER		SIZE: A 00779 C=1926232 SCALE: 3:1 SHEET 1 OF 2 REV E	
CUSTOMER DRAWING				RESTRICTED TO			

LOC	DIST	REV	DESCRIPTION	DATE	DWN	APVD
GP	00		SEE SHEET 1			



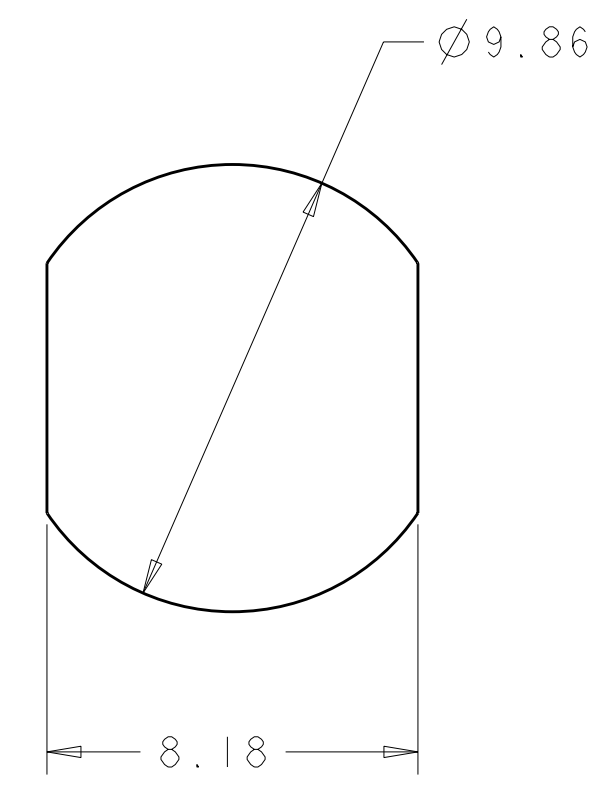
SUGGESTED PCB LAYOUT
 VIEWED FROM CONNECTOR MOUNTING SIDE

HOLE SIZE No. 20
 FINISHED HOLE: $\varnothing 1.19 \pm 0.08$
 DRILLED HOLE: $\varnothing 1.151 \pm 0.013$
 COPPER PLATE: 0.025 MIN (PER SURFACE)
 TIN PLATE: 0.076 MIN (PER SURFACE)

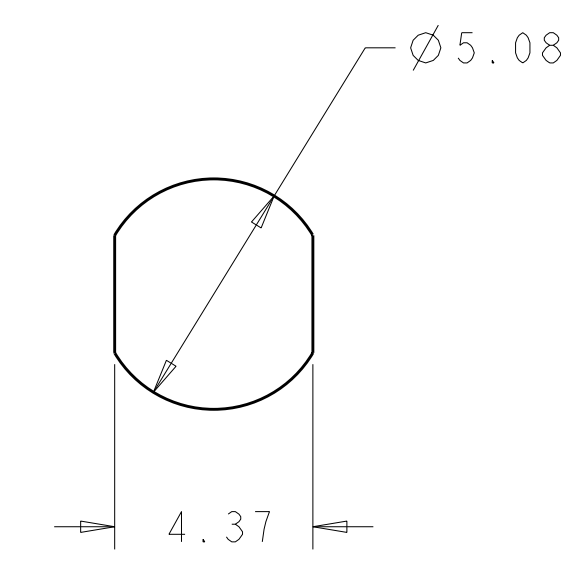
HOLE SIZE No. 12
 FINISHED HOLE: $\varnothing 2.59 \pm 0.08$
 DRILLED HOLE: $\varnothing 2.705 \pm 0.013$
 COPPER PLATE: 0.025 MIN (PER SURFACE)
 TIN PLATE: 0.076 MIN (PER SURFACE)

HOLE SIZE No. 12 THREADED POST
 CLEARANCE HOLE: SEE DETAIL Z

HOLE SIZE No. 4
 CLEARANCE HOLE: SEE DETAIL Y



DETAIL Y
 SCALE 6:1



DETAIL Z
 SCALE 6:1

ITEMS PROVIDED TO THIS SPECIFICATION SHALL BE PERMANENTLY IDENTIFIED PER THE FOLLOWING IDENTIFIER:

YEAR WEEK
 TYCO ELECTRONICS P/N DATE CODE (e.g. 0225)
 XXXXXXX-X XXXX

2. PART NUMBER CHANGES AND OR DESIGN CHANGES AFFECTING ITEM INTERCHANGEABILITY REQUIRE PRIOR TYCO ELECTRONICS APPROVAL AND AUTHORIZATION BY REVISION TO THIS DRAWING.

3. MATERIAL:
 INSULATOR: THERMOPLASTIC, GLASS REINFORCED, UL RATED 94V-0, COLOR: BLACK
 PIN CONTACTS: COPPER ALLOY
 RETENTION CLIPS: BERYLLIUM COPPER OR STAINLESS STEEL

4. FINISH:
 SIZE No. 20 CONTACTS: GOLD PLATE 0.76 μ m MIN THK OVER NICKEL 1.02 μ m MIN THK
 SIZE No. 12 AND 4 CONTACTS: SILVER PLATE 5.08 μ m MIN THK OVER NICKEL 1.02 μ m MIN THK

5. PCB TAILS CONTACTS ARE INSERTABLE/NONREMOVABLE:
 SIZE No. 20 (ITEM E) LOADED IN POSN. 5, 8, 16 & 19
 SIZE No. 20 (ITEM F) LOADED IN POSN 6, 7, 9 THRU 15, 17, 18, 20 THRU 25
 SIZE No. 12 (ITEM H) LOADED IN POSN 1
 SIZE No. 12 (ITEM G) LOADED IN POSN 29
 SIZE No. 4 (ITEM D) LOADED IN POSN 30 AND 31
 SIZE No. 4 (ITEM C) LOADED IN POSN 34 AND 35
 SIZE No. 4 (ITEM R) LOADED IN POSN 33
 SIZE No. 4 (ITEM P) LOADED IN POSN 32
 SIZE No. 12 (ITEM N) LOADED IN POSN 2 THRU 4
 SIZE No. 12 (ITEM M) LOADED IN POSN 26 THRU 28

6. 15 in lbs MAX. TORQUE APPLIED ON SIZE 1/4 PIN CONTACT.

QTY	PART NO.	DESCRIPTION	ITEM
3	1926345-1	CONTACT, No. 12, POSTMATE	N
3	1926345-2	CONTACT, No. 12, PREMATE	M
5	1766849-1	SCREW, SELF TAPPING	L
8	1650489-1	CLIP, RETENTION, No. 12	K
21	1650484-1	CLIP, RETENTION, No. 20	J
1	1766217-2	CONTACT, No. 12, PCB TAIL	H
1	1766217-1	CONTACT, No. 12, PCB TAIL, PREMATE	G
17	1650195-4	CONTACT, No. 20, PCB TAIL	F
4	1650195-2	CONTACT, No. 20, PCB TAIL, PREMATE	E
3	1766229-1	CONTACT, 1/4" TAPPED M5, 42.88 mm LG	D
3	1766228-1	CONTACT, 1/4" TAPPED M5, 35.66mm LG	C
1	1651798-1	HOUSING, PIN, REAR INSERT	B
1	1651797-1	HOUSING, PIN, FRONT	A
-1	PART NO.	DESCRIPTION	ITEM

DIMENSIONS: mm 		TOLERANCES UNLESS OTHERWISE SPECIFIED: 9 PLC $\pm .5$ 3 PLC $\pm .25$ 5 PLC $\pm .1$ 4 PLC $\pm .1$ ANGLES $\pm .1$		DWN R. GRZYBOWSKI 26MAR2009 CHK D. ORRIS 26MAR2009 APVD M. PERCHERIE 26MAR2009 NAME: PIN CONNECTOR ASSEMBLY SCREW MOUNT CUSTOM DRAWER PRODUCT SPEC 108-2285 APPLICATION SPEC 114-13206 WEIGHT: - SCALE 3:1 SHEET 2 OF 2 REV E	
MATERIAL: - FINISH: -		CUSTOMER DRAWING		Tyco Electronics Harrisburg, PA 17105-3608	