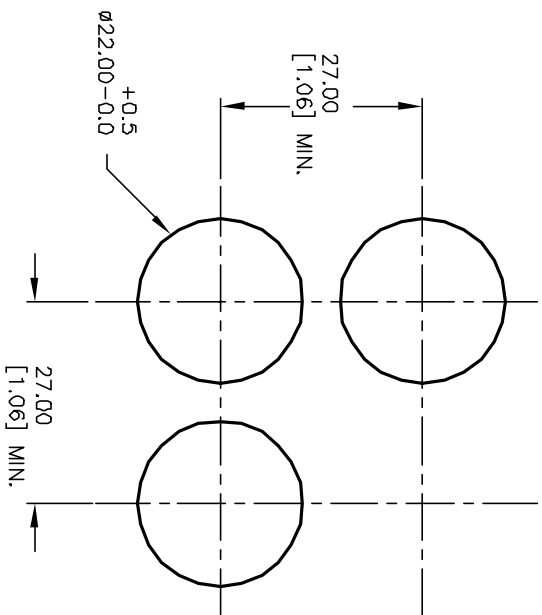


Item	Qty.	Dwg. No.	Part No.
1	1	F051702	25mm RING FOR LA SERIES
2	1	F060603	LASEEV120
3	1	F060255	25MM RED LENS



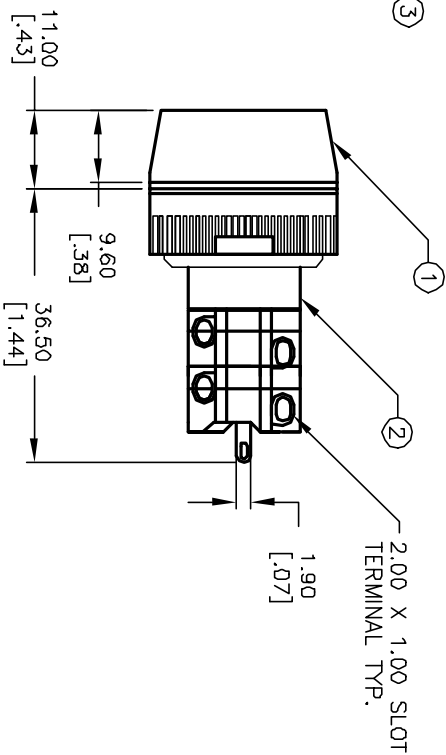
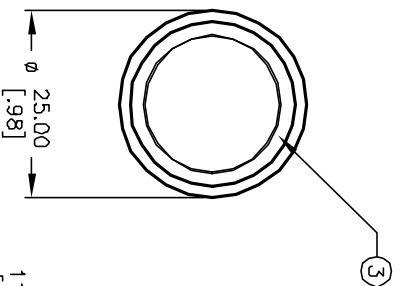
RECOMMENDED PANEL MOUNTING

1 o l o 2  
3 o o 4  
a-(L)-b (<+>)

DPST  
CONTACT CONFIGURATION

NOTES:

1. ALL DIMENSIONS IN MM [INCH]
2. GENERAL TOLERANCE: 0.0=±0.4  
0.00=±0.25
3. RATINGS: 250VAC @5A,  
125VAC @8A
4. TRAVEL: 3.0mm



**E-SWITCH®**

LASEEV120RED

REV.	ECN No.	DESCRIPTION	DATE	CHKD
A	12993	RELEASED FOR PRODUCTION	4/2/03	AR

TITLE	SCALE	DATE	DR	DWG	REV
LASEEV120RED	1:1	4/2/03	AR	XF0550P	A

THE INFORMATION CONTAINED IN THIS DOCUMENT IS PROPRIETARY TO E-SWITCH AND IS NOT TO BE COPIED OR TRANSFERRED