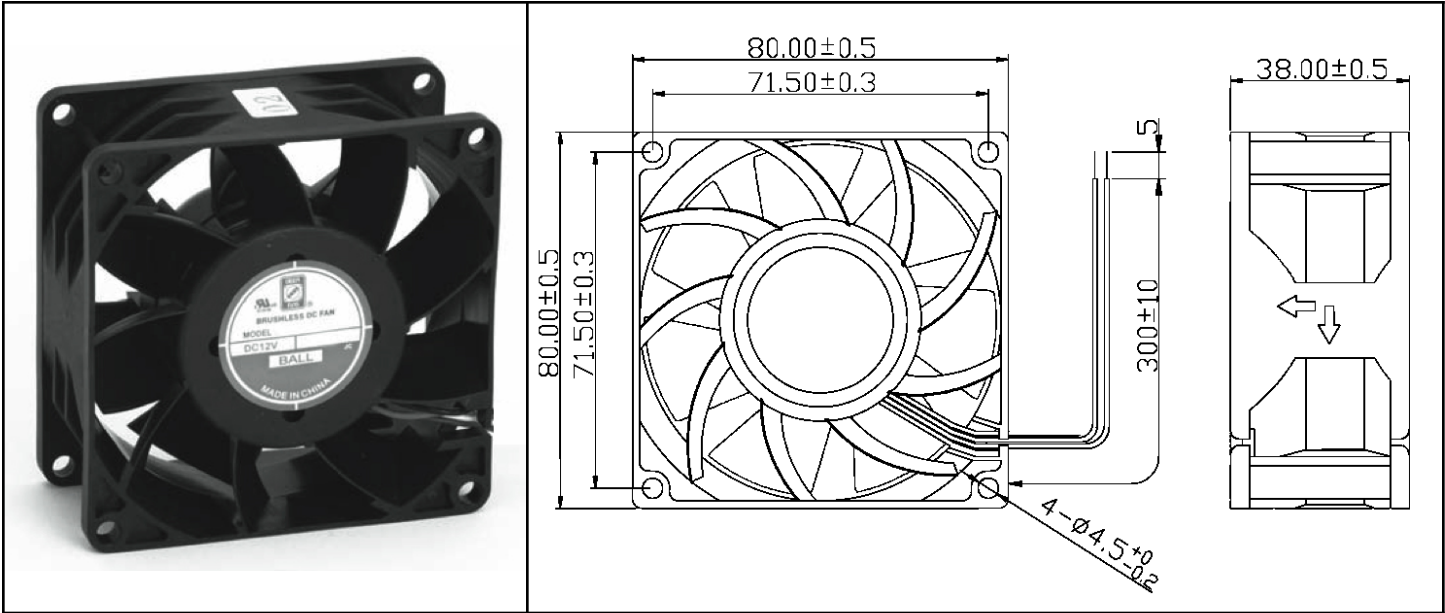


# OD8038 'VA' Series



DC Fan - Vaneaxial  
80x38mm (3.15"x 1.5")



Frame & Impeller	PBT, UL94V-O plastic	Date: 100513	<p>Options</p> <p>Tachometer Open Collector PWM Input **</p> <p>* Connection</p> <ol style="list-style-type: none"> <li>1. Black(GND)</li> <li>2. Red (Vcc)</li> <li>3. White (Tach)</li> <li>4. Blue (PWM)</li> </ol>	
Connection	4x Lead wires *			
Motor	Brushless DC, auto restart, polarity protected.			
Bearing System	Dual ball bearing			
Insulation Resistance	Min. 10M at 500VDC			
Dielectric Strength	1 minute at 500VAC / 1 second, max leakage 500 microamp			
Temperature Range	-10C ~ +70C			
Storage Temperature	-40C ~ +80C			
Life (L10)	50,000 hours (40C)			

Model Number	OD8038-12HBVXC10a	
Part Number	188141261	
Nominal Voltage	12 VDC	
Nominal Current	1.2 A	
Rated Power	14 W	
Rated Speed (RPM)	6300	
Airflow (CFM)	99	
Noise Level (dB)	57	
Max. Static Pressure	0.81 "H <sub>2</sub> O	

\*\* PWM:  
18 - 30KHz Operation  
Idle (appr 1700 rpm) at 0% Duty Cycle