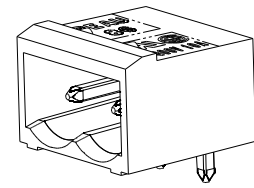
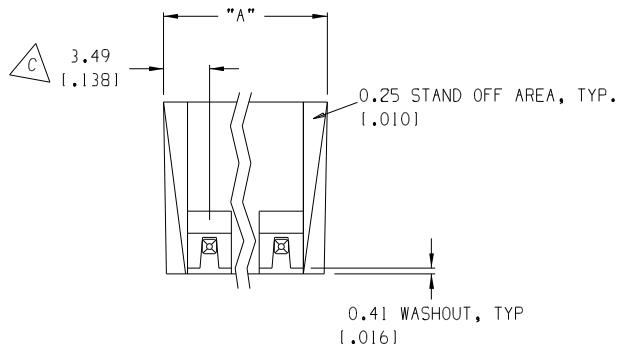
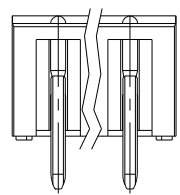
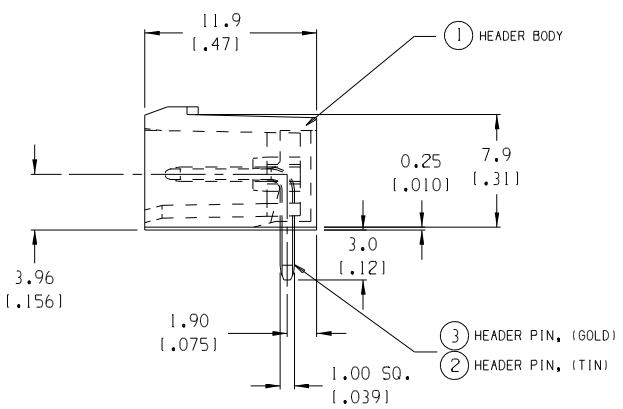
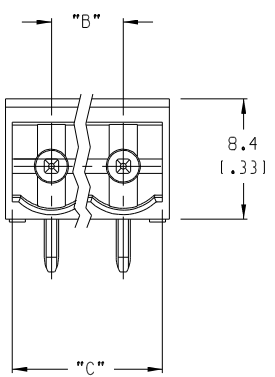


RECOMMENDED PLATED THRU HOLE PATTERN
SCALE 2:1



2 CIRCUIT SHOWN



NOTES:

1. MATERIAL: SEE TABLE
2. FINISHES: SEE TABLE
3. PRODUCT SPECIFICATION: NOT REQUIRED
4. PACKAGING: NOT REQUIRED
5. MATES WITH: NONE
6. SEE SD-38120-003 FOR IMPRINTING OPTIONS.
7. "XX" REFERS TO THE NUMBER OF CIRCUITS.

ITEM	QTY.	DESCRIPTION	MATERIAL	FINISH
3	XX	GOLD PIN, RIGHT ANGLE (-G30 OPT.)	BRASS	GOLD
2	XX	TIN PIN, RIGHT ANGLE	BRASS	TIN
1	1	INSULATOR	THERMOPLASTIC	BLACK

EC NO. EGO# 11612	DRWING CH'KT CY 01-11-05	DESCRIPTION
REV C		

QUALITY SYMBOLS	MAJOR	CRITICAL
	▲	▽

GENERAL TOLERANCES: (UNLESS SPECIFIED)	SCALE 3:1	DESIGN UNITS
4 PLACES ±.0015		<input type="checkbox"/> mm <input checked="" type="checkbox"/> INCH
3 PLACES ±.038 ±.005	DRAWN BY & DATE R. KEMP 2-26-03	
2 PLACES ±.13 ±.01	CHECKED BY & DATE R. STONE 2-27-03	
1 PLACE ±.3	APPROVED BY & DATE P. WALTZ 2-28-03	
ANGULAR: ±2°	CAD FILENAME 8689XX	

PROJECT NO. E-300	SHT	REV
DIMENSIONS:	REVISE ON CAD ONLY	
<input checked="" type="checkbox"/> mm <input type="checkbox"/> INCH	<input type="checkbox"/> mm ONLY	
THIRD ANGLE PROJECTION	TITLE: HEADER, RA. CLOSED END ASSY (5.08 (1.200) CENTER), HIGH TEMP. W/ .010 STAND OFF	
MOLEX INCORPORATED		
MATERIAL NO. SEE CHART	DRAWING NO. SD-39860-014	SHEET NO. 1 OF 2
THIS DRAWING CONTAINS INFORMATION THAT IS PROPRIETARY TO MOLEX INCORPORATED AND SHOULD NOT BE USED WITHOUT PERMISSION.		SIZE B

# OF CIRC. "XX"	DIM. "A"	DIM. "B"	DIM. "C"	MATERIAL #, W/ TIN PIN	MATERIAL #, W/ GOLD PIN	MATERIAL #, (-10A OPT)	MATERIAL #, (-11A OPT)
02	12.1 [1.48]	5.08 [1.200]	10.67 [1.420]	39860-1402	39861-1402	39862-1402	39863-1402
03	17.1 [1.68]	10.16 [1.400]	15.75 [1.620]	39860-1403	39861-1403	39862-1403	39863-1403
04	22.2 [1.88]	15.24 [1.600]	20.83 [1.820]	39860-1404	39861-1404	39862-1404	39863-1404
05	27.3 [1.08]	20.32 [1.800]	25.91 [1.020]	39860-1405	39861-1405	39862-1405	39863-1405
06	32.4 [1.28]	25.40 [1.000]	30.99 [1.220]	39860-1406	39861-1406	39862-1406	39863-1406
07	37.5 [1.48]	30.48 [1.200]	36.07 [1.420]	39860-1407	39861-1407	39862-1407	39863-1407
08	42.5 [1.68]	35.56 [1.400]	41.15 [1.620]	39860-1408	39861-1408	39862-1408	39863-1408
09	47.6 [1.88]	40.64 [1.600]	46.23 [1.820]	39860-1409	39861-1409	39862-1409	39863-1409
10	52.7 [2.08]	45.72 [1.800]	51.31 [2.020]	39860-1410	39861-1410	39862-1410	39863-1410
11	57.8 [2.28]	50.80 [2.000]	56.39 [2.220]	39860-1411	39861-1411	39862-1411	39863-1411
12	62.9 [2.48]	55.88 [2.200]	61.47 [2.420]	39860-1412	39861-1412	39862-1412	39863-1412



EC NO. SEE SHEET DRWN: 1 OF 2 CH'K: APPR: REV	QUALITY SYMBOLS MAJOR CRITICAL C	GENERAL TOLERANCES: (UNLESS SPECIFIED)		SCALE 3:1	DESIGN UNITS <input type="checkbox"/> mm <input checked="" type="checkbox"/> INCH	THIRD ANGLE PROJECTION	PROJECT NO. E-300	SHT	REV		
		4 PLACES mm INCH ±.0015		DRAWN BY & DATE R. KEMP 2-26-03	TITLE: HEADER, RA. CLOSED END ASSY (5.08 [1.200] CENTER) W/ .010 STAND OFF			<input checked="" type="checkbox"/> mm <input type="checkbox"/> INCH <input type="checkbox"/> mm ONLY	REVISE ON CAD ONLY		
		3 PLACES ±.038 ±.005		CHECKED BY & DATE R. STONE 2-27-03	APPROVED BY & DATE P. WALTZ 2-28-03			MATERIAL NO. SEE CHART		DRAWING NO. SD-39860-014	SHEET NO. 2 OF 2
		2 PLACES ±.13 ±.01 1 PLACE ±.3		ANGULAR: ±2°	CAD FILENAME 8689XX		MATERIAL NO. SEE CHART		DRAWING NO. SD-39860-014	SHEET NO. 2 OF 2	SIZE B

DRAFT WHERE APPLICABLE MUST REMAIN WITHIN DIMENSIONS

THIS DRAWING CONTAINS INFORMATION THAT IS PROPRIETARY TO MOLEX INCORPORATED AND SHOULD NOT BE USED WITHOUT WRITTEN PERMISSION.