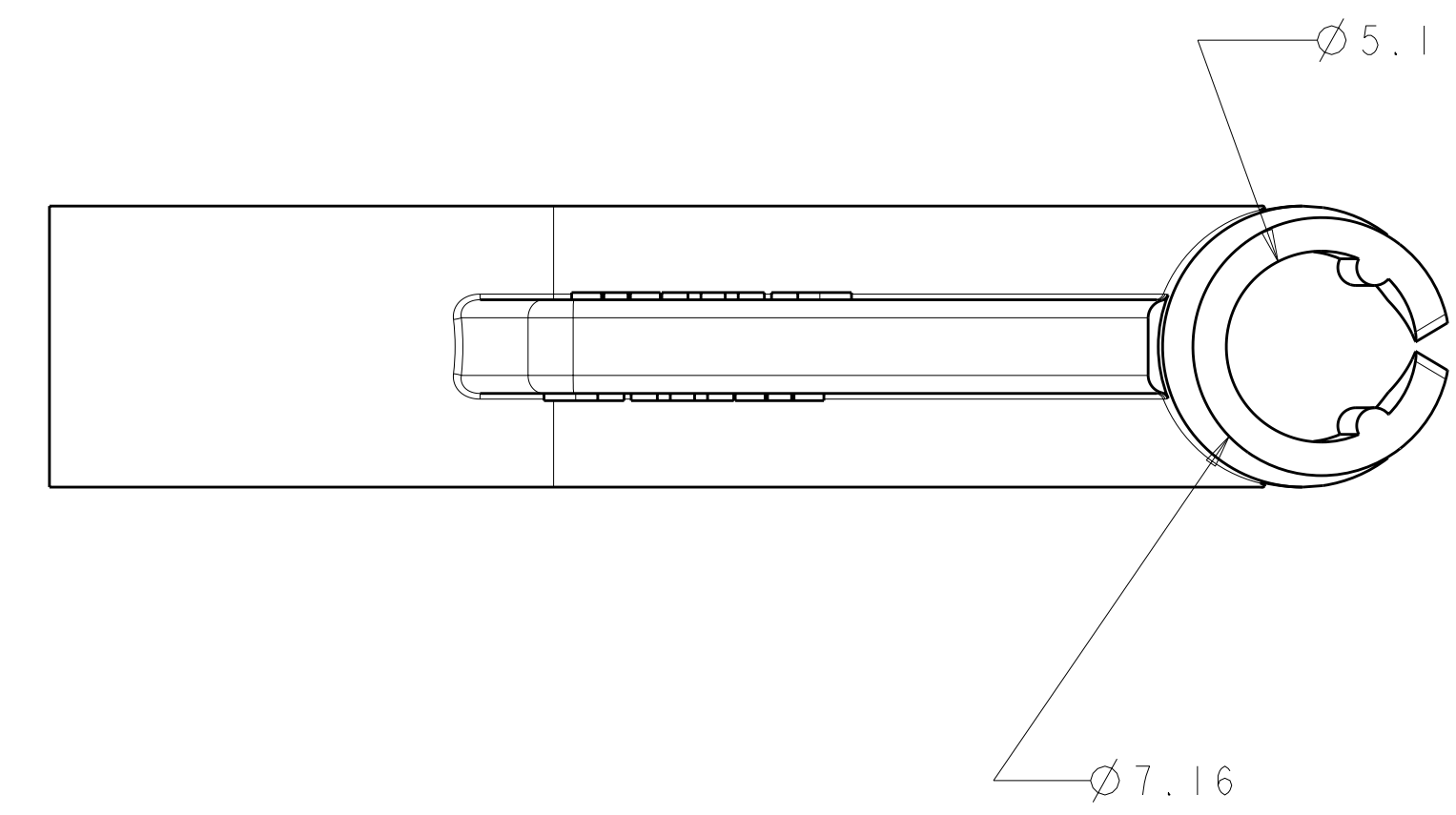
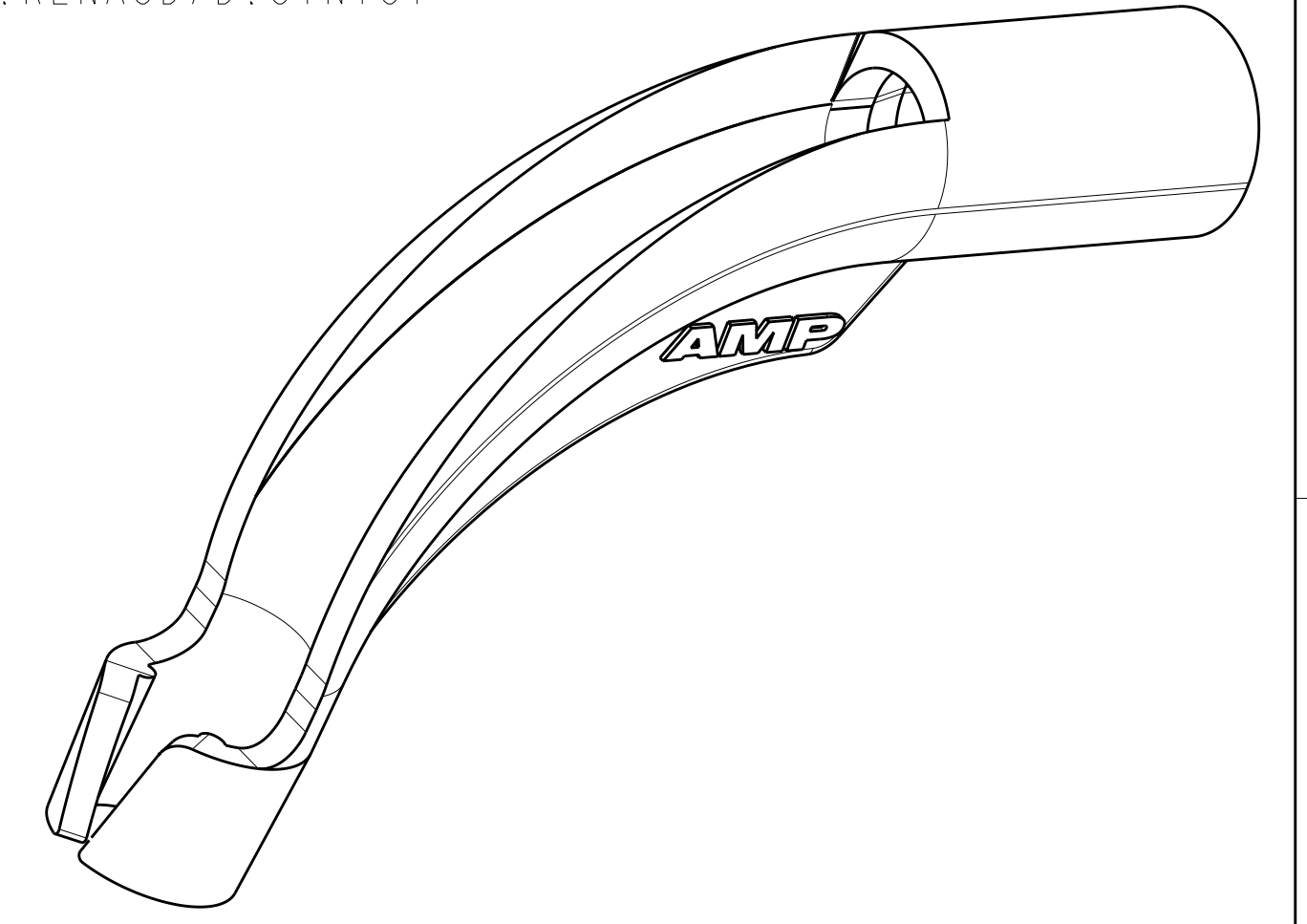
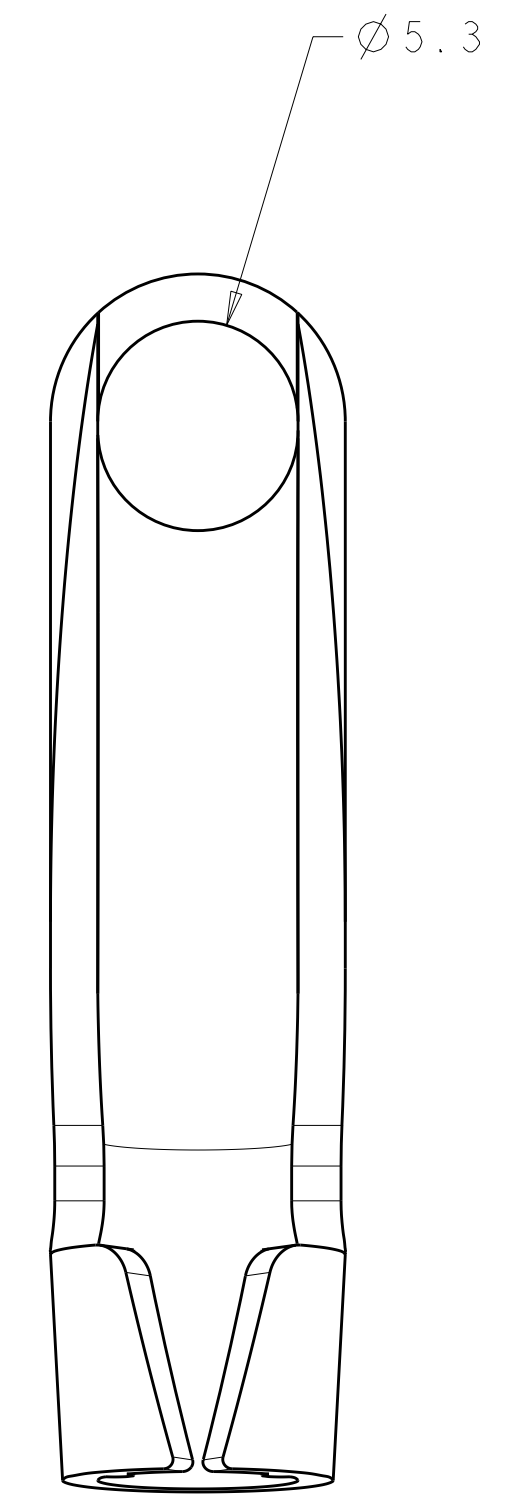
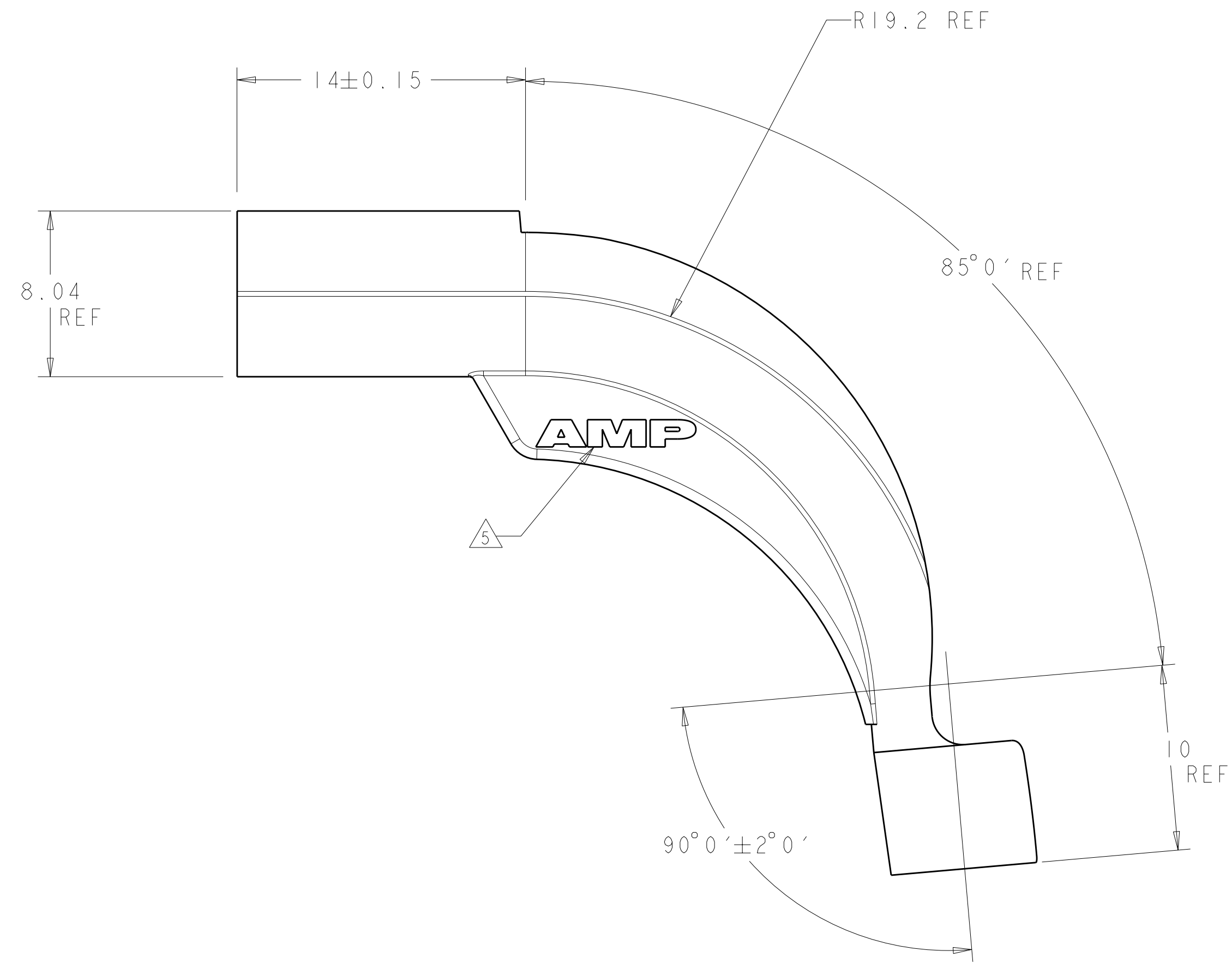
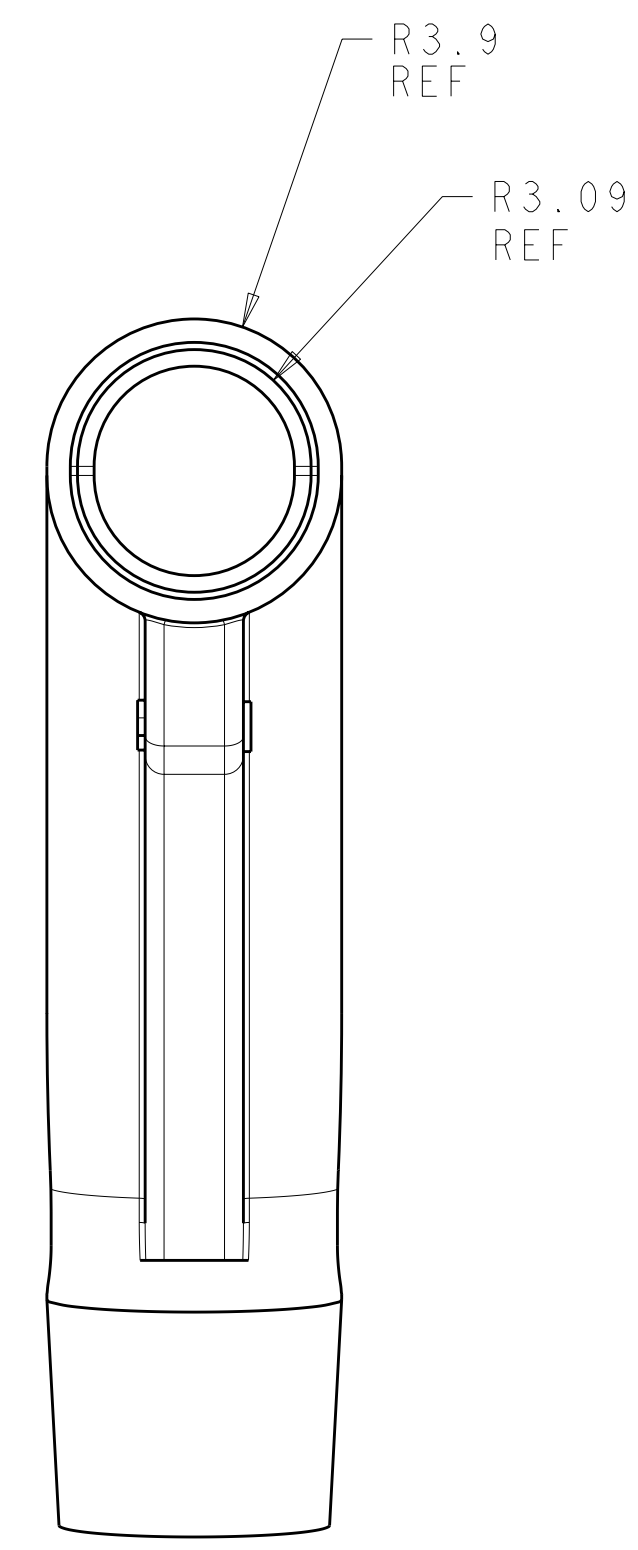


LOC	DIST	REVISIONS			
P	LTB	DESCRIPTION	DATE	DWN	APVD
0		REL PER NPR 00-471	9JUL2000	LM	SH
A		REV PER ECN 0A00-0689-00	16AUG2000	SH	LM
B		REV PER ECN 0A00-0116-01	01AUG2001	LM	SH
BI		REVISED PER ECO-09-025699	10DEC2009	KK	AEQ

- △ MATERIAL: THERMOPLASTIC, COLOR:BLACK.
- △ MATERIAL: THERMOPLASTIC, COLOR:GREEN.
- △ MATERIAL: THERMOPLASTIC, COLOR:BLUE.
- △ MATERIAL: THERMOPLASTIC, COLOR:RED.
- △ MOLDED IN AMP LOGO FOR -1 THRU -4
- △ OBSOLETE PARTS: OBSOLETE CIS STREAMLINING PER D.RENAUD/D.SINISI



OBSOLETE △6	NO	RED	△4	1374703-8
	NO	BLUE	△3	1374703-7
	NO	GREEN	△2	1374703-6
	NO	BLACK	△1	1374703-5
OBSOLETE △6	YES	RED	△4	1374703-4
	YES	BLUE	△3	1374703-3
	YES	GREEN	△2	1374703-2
	YES	BLACK	△1	1374703-1
	AMP LOGO △3	COLOR	MATERIAL	PART NUMBER

DIMENSIONS: mm TOLERANCES UNLESS OTHERWISE SPECIFIED: 9 PLC ±0.25 3 PLC ±0.2 5 PLC ±0.13 4 PLC ± ANGLES ± FINISH ±		DWN: 2 MAY 2000 CHK: MORNINGSTAR S. HILKER APVD: 07 JUL 2000 F. ARENDSCHEIN		Tyco Electronics Harrisburg, PA 17105-3608	
MATERIAL: - FINISH: -		PRODUCT SPEC: - APPLICATION SPEC: - WEIGHT: -		NAME: OPEN DIRECTOR LIGHTRAY MPX SIZE: A1 CAGE CODE: C- DRAWING NO: 1374703 RESTRICTED TO: -	
CUSTOMER DRAWING				SCALE: 5:1 SHEET: 1 OF 1 REV: BL	