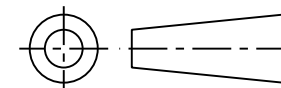


DO NOT SCALE

DIMENSIONS IN mm

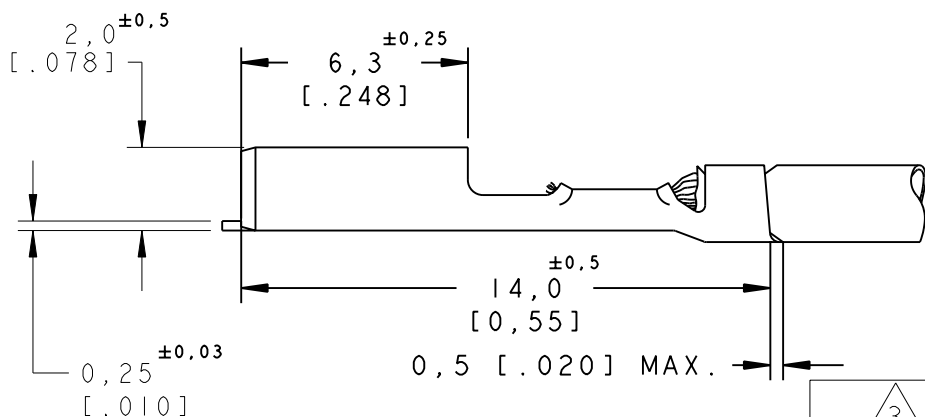
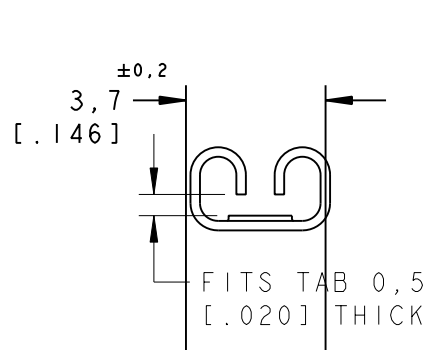
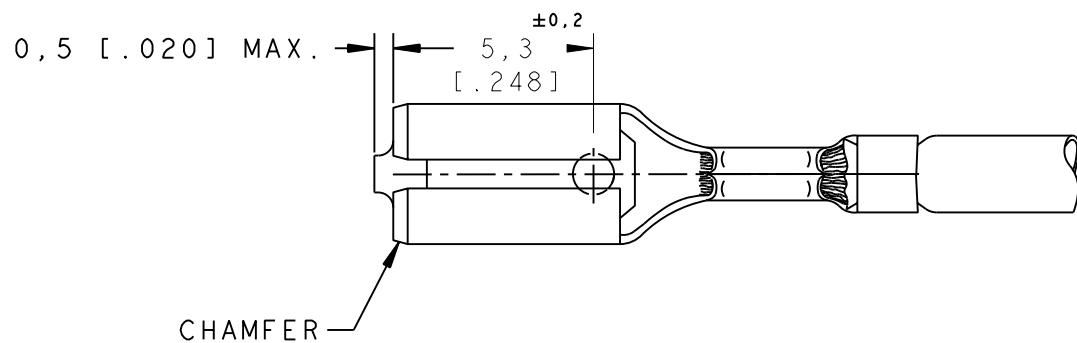
METRIC

THIRD ANGLE
PROJECTION



NOTES:

- 1 SPLICE FREE FOR AMP_O_MATOR.
- 2 REELED WITH PAPER LAYER.
- 3 OBSOLETE PARTS: OBSOLETE CIS STREAMLINING PER D.RENAUD/D.SINISI



3 OBSOLETE

3 OBSOLETE

3 OBSOLETE

WIRE RANGE :
0,3-0,56 mm
INSULATION RANGE :
1,0-2,0 DIA.

| FINISH | MATERIAL | PARTNUMBER |
|-----------------|----------------|------------|
| TIN | BRASS | 6-160316-4 |
| TIN-LEAD | PHOSPHORBRONZE | 6-160316-3 |
| TIN-LEAD | BRASS | 6-160316-2 |
| PRE-TIN HOT DIP | PHOSPHORBRONZE | 6-160316-0 |
| TIN | BRASS | 5-160316-9 |
| NONE | BRASS | 5-160316-8 |
| GOLD | PHOSPHORBRONZE | 5-160316-7 |
| TIN | PHOSPHORBRONZE | 5-160316-6 |
| NONE | PHOSPHORBRONZE | 5-160316-5 |
| GOLD | BRASS | 5-160316-4 |
| SILVER | BRASS | 5-160316-3 |
| TIN | BRASS | 5-160316-2 |
| NONE | BRASS | 5-160316-1 |

| | | | | |
|--|---------------------------|-----------|-----------|-----------|
| CUSTOMER DRAWING FOR REFERENCE ONLY WILL NOT BE UPDATED | | | | |
| © COPYRIGHT 19- BY AMP HOLLAND B.V. ALL INTERNATIONAL RIGHTS RESERVED. AMP PRODUCTS MAY BE COVERED BY U.S. AND FOREIGN AND/OR PATENTS PENDING. THIS DRAWING IS UNPUBLISHED RELEASED FOR PUBLICATION , 19 | | | | |
| Tyco Electronics, ITALIA S.r.l. Corso F.lli Cervi, 15 COLLEGNO (TORINO) | | | | |
| F2 | REVISED PER ECO-09-025699 | KK | AEG | 16DEC09 |
| F1 | ET00-0045-02 | HY | CT | 07 MAR 02 |
| F | EH-0243-94 | DK | PB | 11-04-94 |
| LTR. | REVISION RECORD | DR. | CHK. | DATE |
| DR.: | D.KESSLER | CHK.: | P.BEIJNON | APP.: |
| DATE: | 11-04-94 | DATE: | - | DATE: |
| L.V.SOEST | | DWG. No. | | C-160316 |
| SHEET | | REV. LTR. | | F2 |
| 1 OF 1 | | | | |