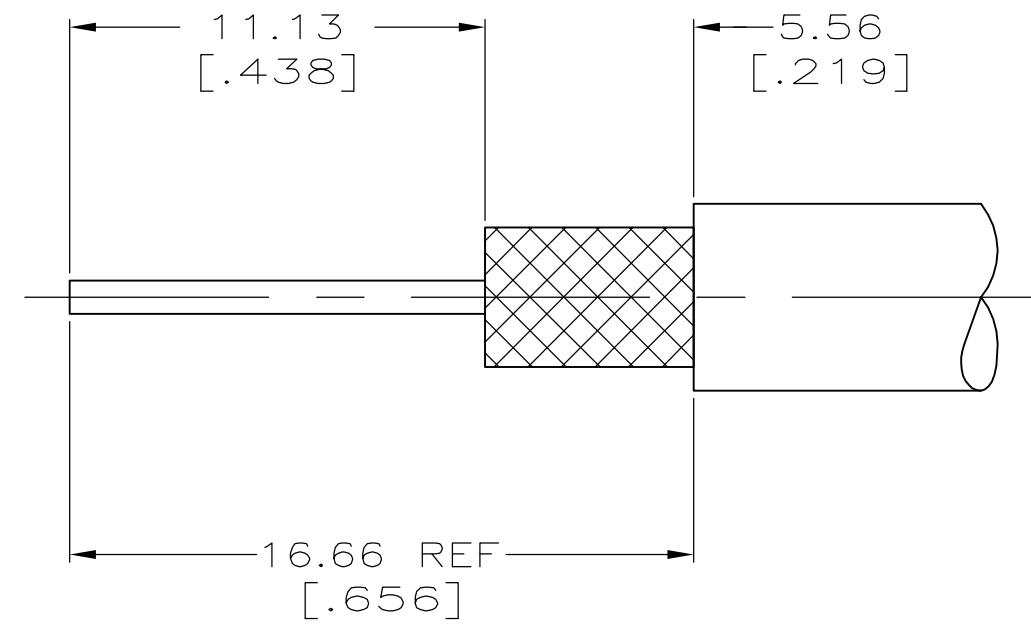


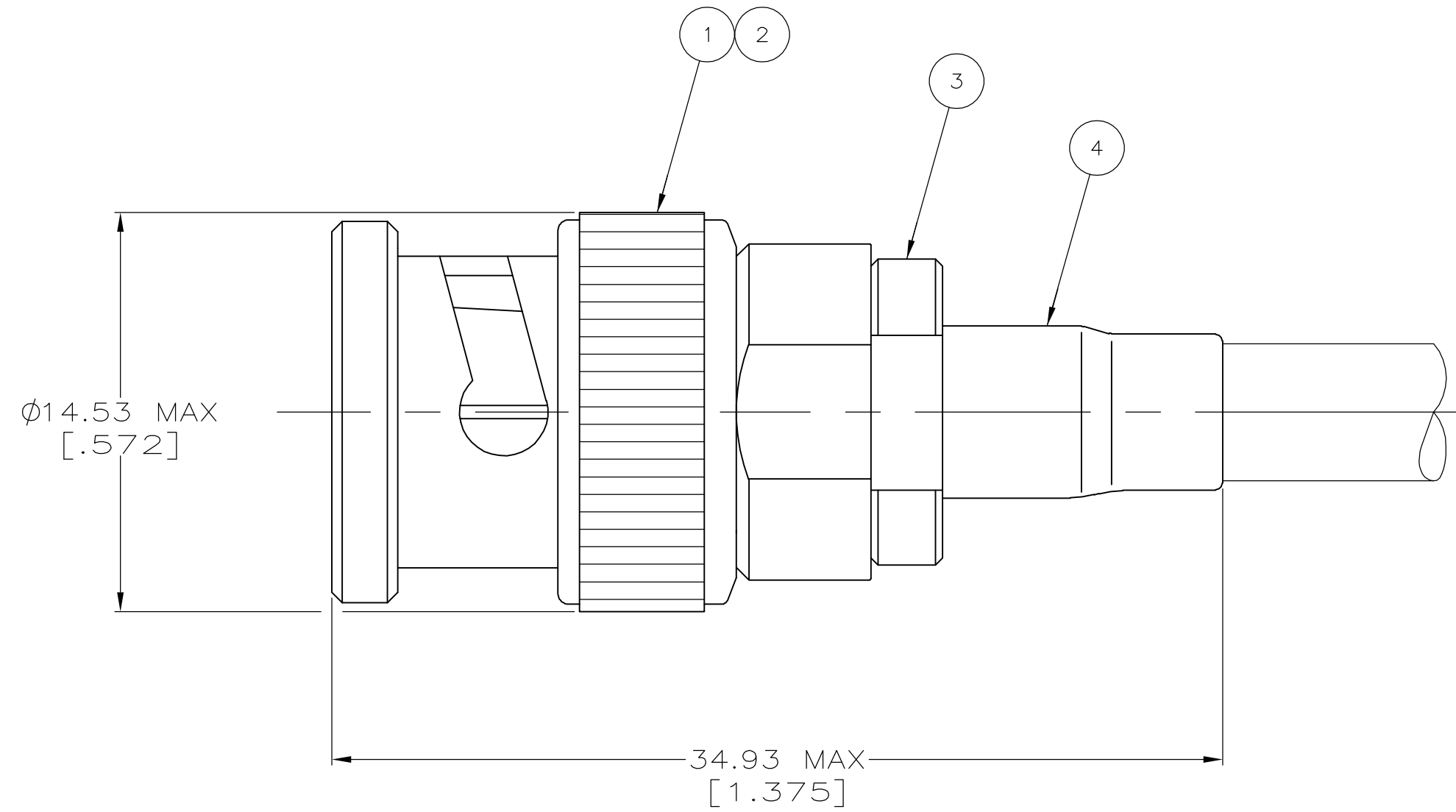
THIS DRAWING IS UNPUBLISHED. RELEASED FOR PUBLICATION
 © COPYRIGHT BY TYCO ELECTRONICS CORPORATION. ALL RIGHTS RESERVED.

LOC	DIST	REVISIONS			
P	LTR	DESCRIPTION	DATE	DWN	APVD
AJ	16	M1	REVISED PER ECO-05-009546	11OCT05	BM JL

- 1. CRIMP TOOL: 69140-1
- △ WEIGHT: .412 OZ
- 3. SEE I.S. 1799-1



RECOMMENDED STRIP LENGTH



SUPSD BY: 2-5329082-1	RG-58/U,58A/U,58B/U & 58C/U	328663	50780	2-329106-1	9-329327-0	9-329082-0
SUPSD BY: 2-329444-2	-	-	-	-	-	2-329082-2
	RG-58/U,58A/U,58B/U & 58C/U	328663	50780	2-329106-1	329327	2-329082-1
CABLE SIZE	④ FERRULE QTY=1	③ CRIMP END ASSEMBLY QTY=1	② GASKET QTY=1	① PLUG ASSEMBLY QTY=1	PART NUMBER	

THIS DRAWING IS A CONTROLLED DOCUMENT.		DWN B. SCOTT 06-28-91	Tyco Electronics Corporation Harrisburg, PA 17105-3608	
DIMENSIONS: INCHES	TOLERANCES UNLESS OTHERWISE SPECIFIED:	CHK J. LIPPERT 7-30-91	NAME PLUG, SERIES BNC	
0 PLC ± -	1 PLC ± -	APVD -	SIZE A2	CAGE CODE 00779
2 PLC ± 0.41 [.016]	3 PLC ± -	PRODUCT SPEC -	DRAWING NO C=329082	RESTRICTED TO -
4 PLC ± -	ANGLES ± -	APPLICATION SPEC -	SCALE 5:1	SHEET 1 of 1
MATERIAL -	FINISH -	WEIGHT △	CUSTOMER DRAWING	REV M1