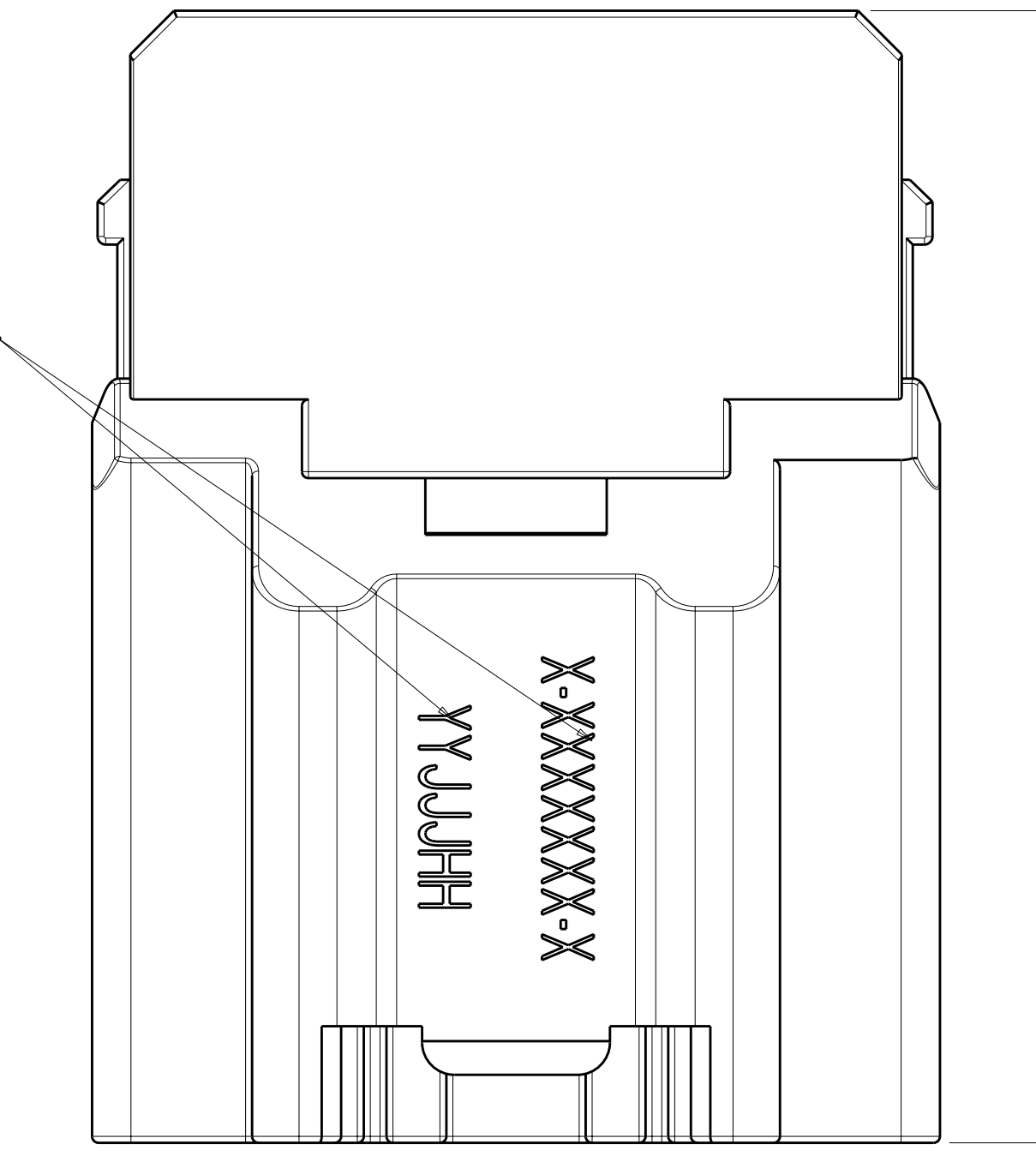
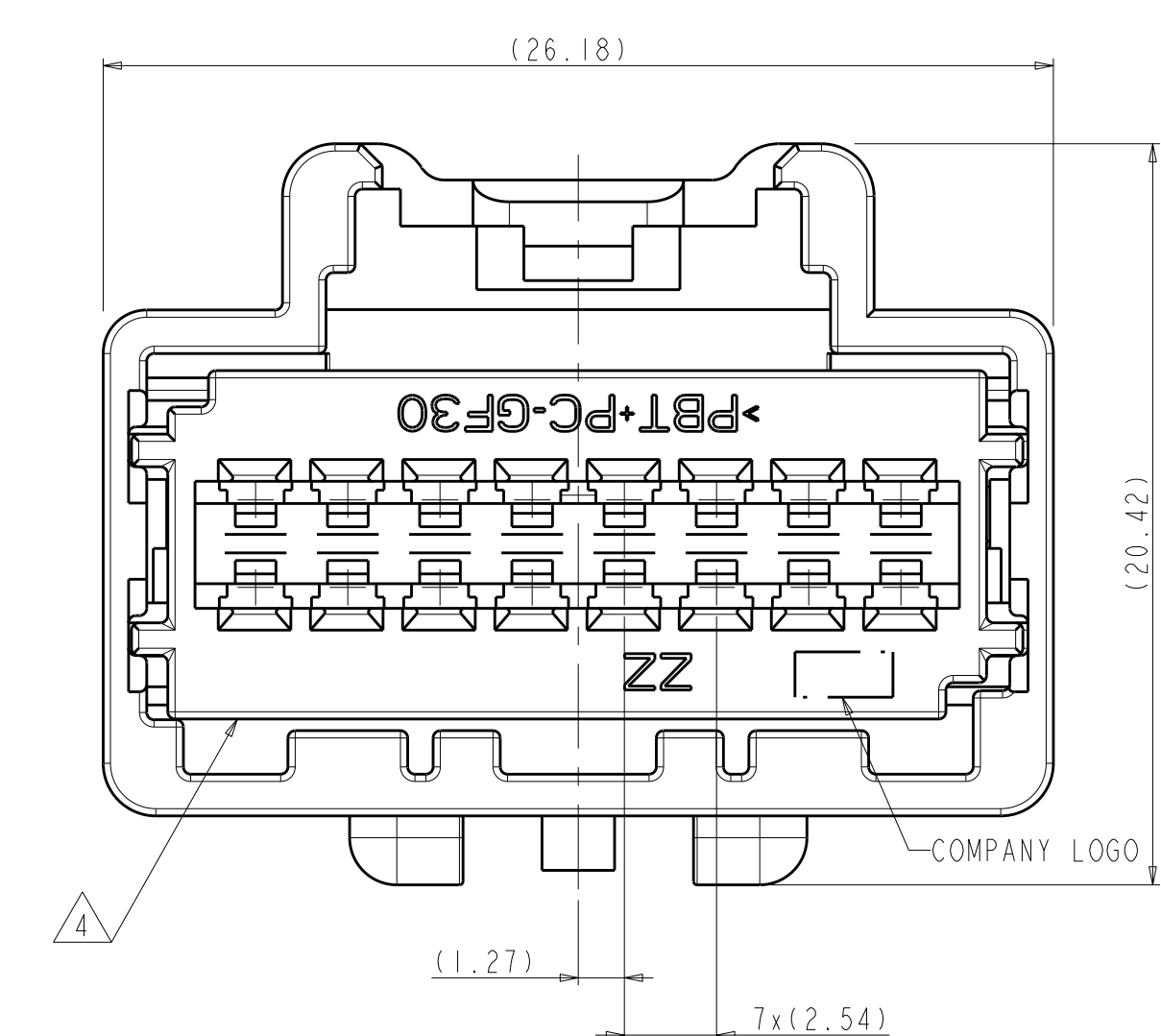
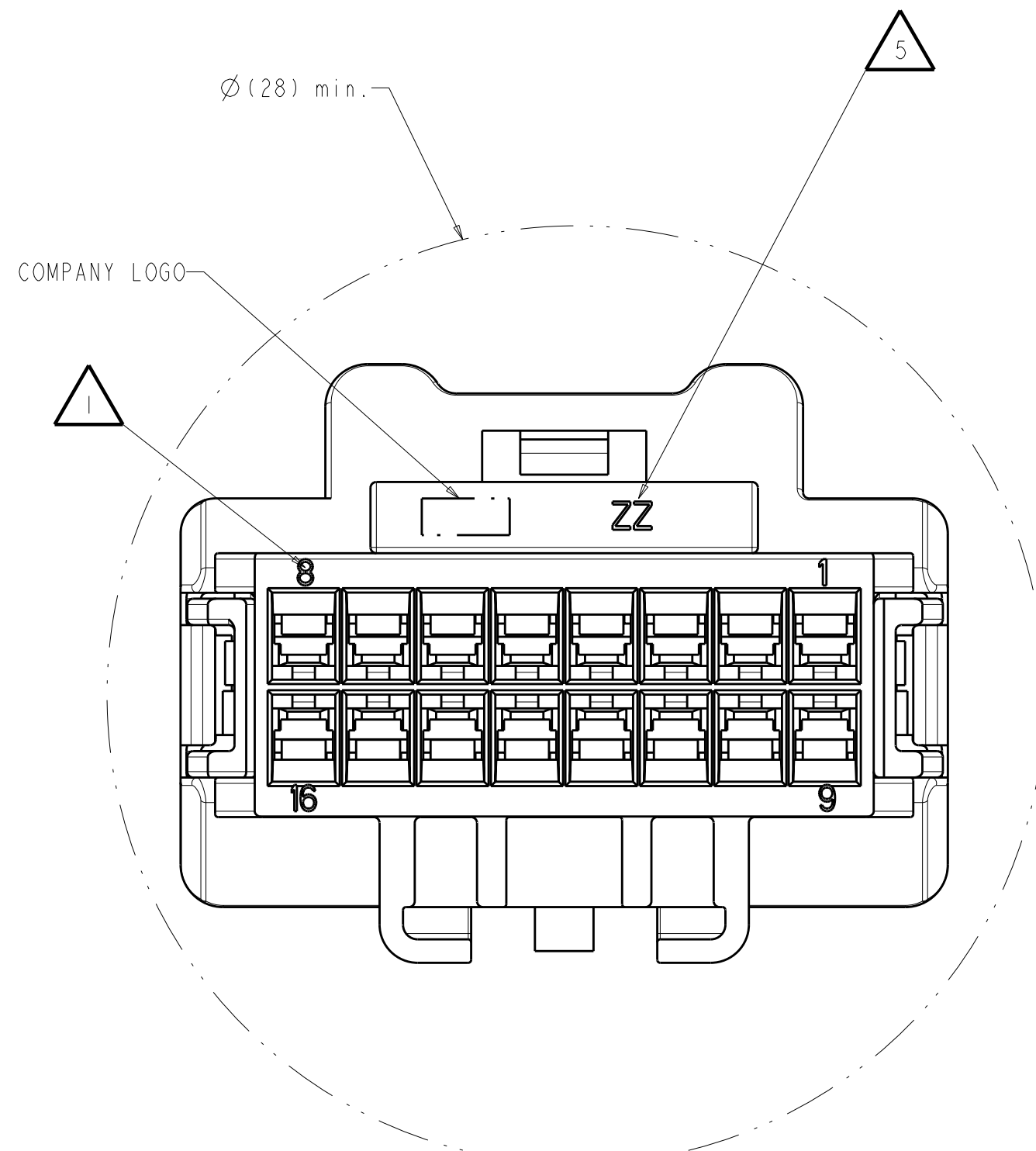
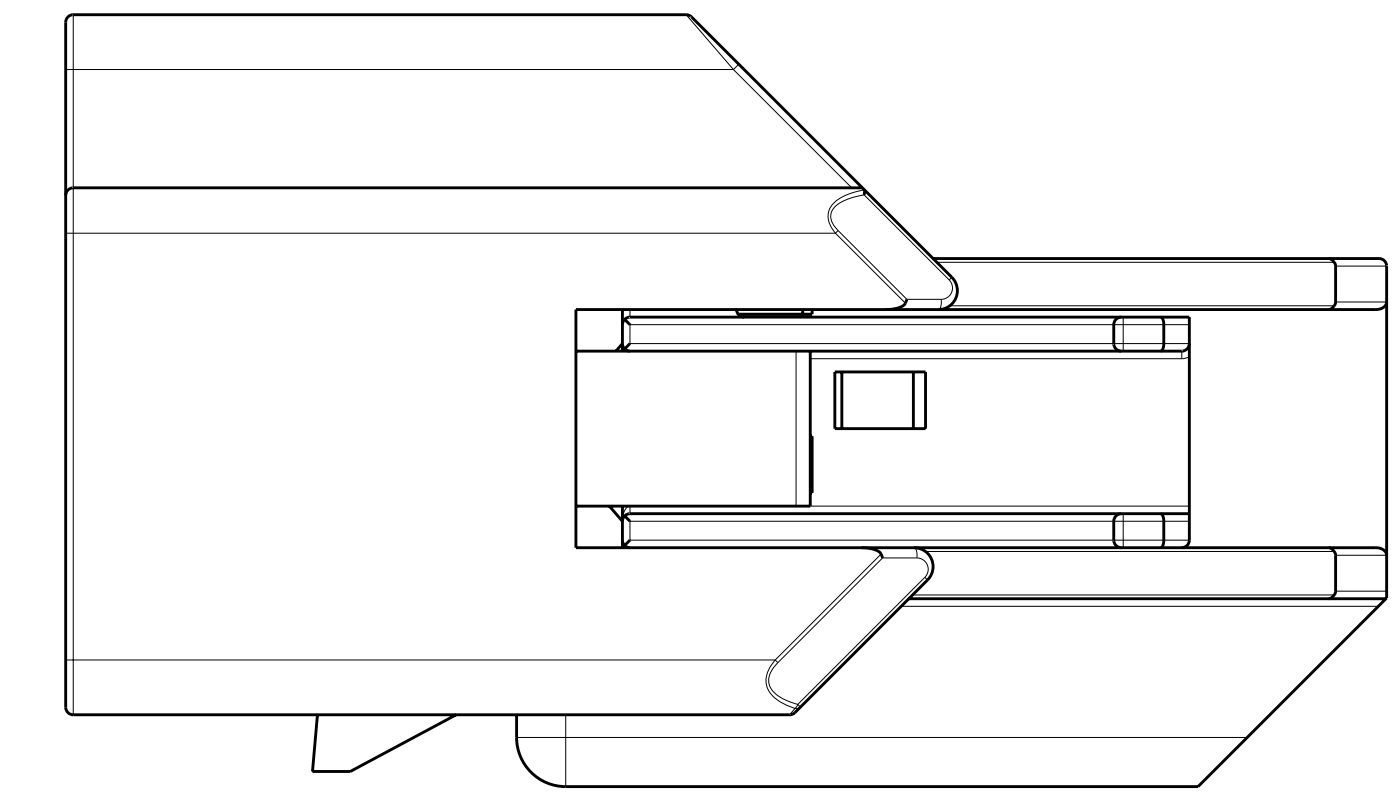
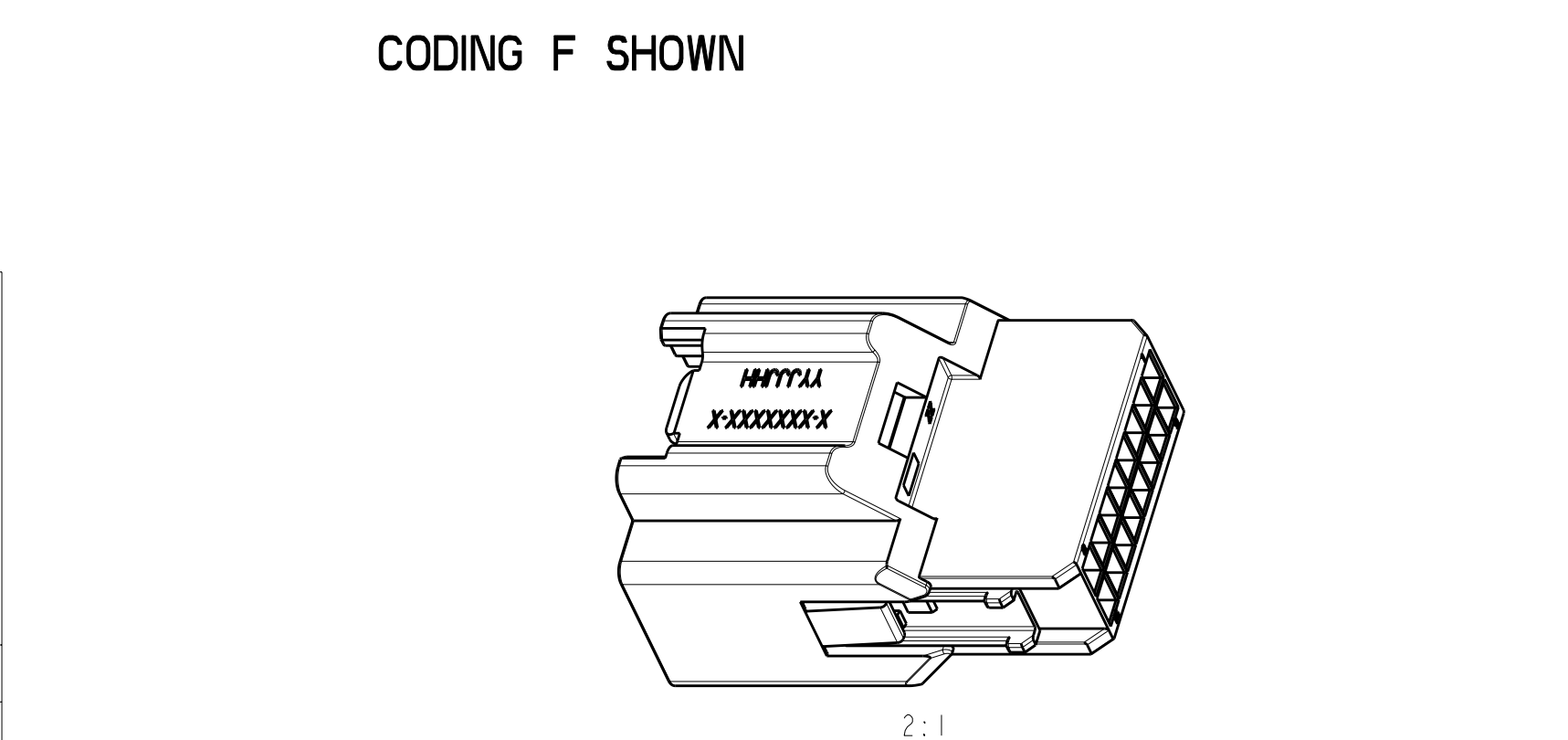
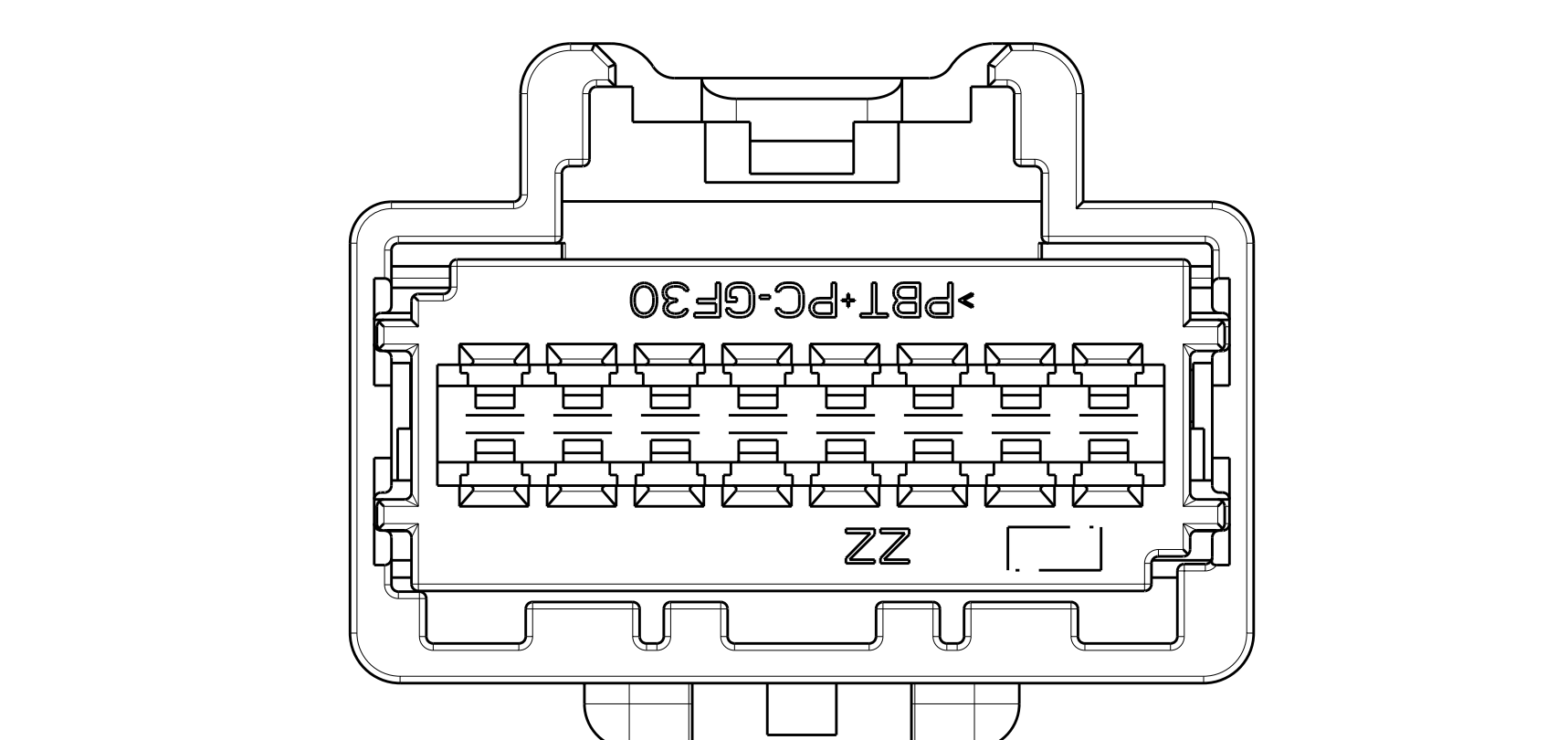
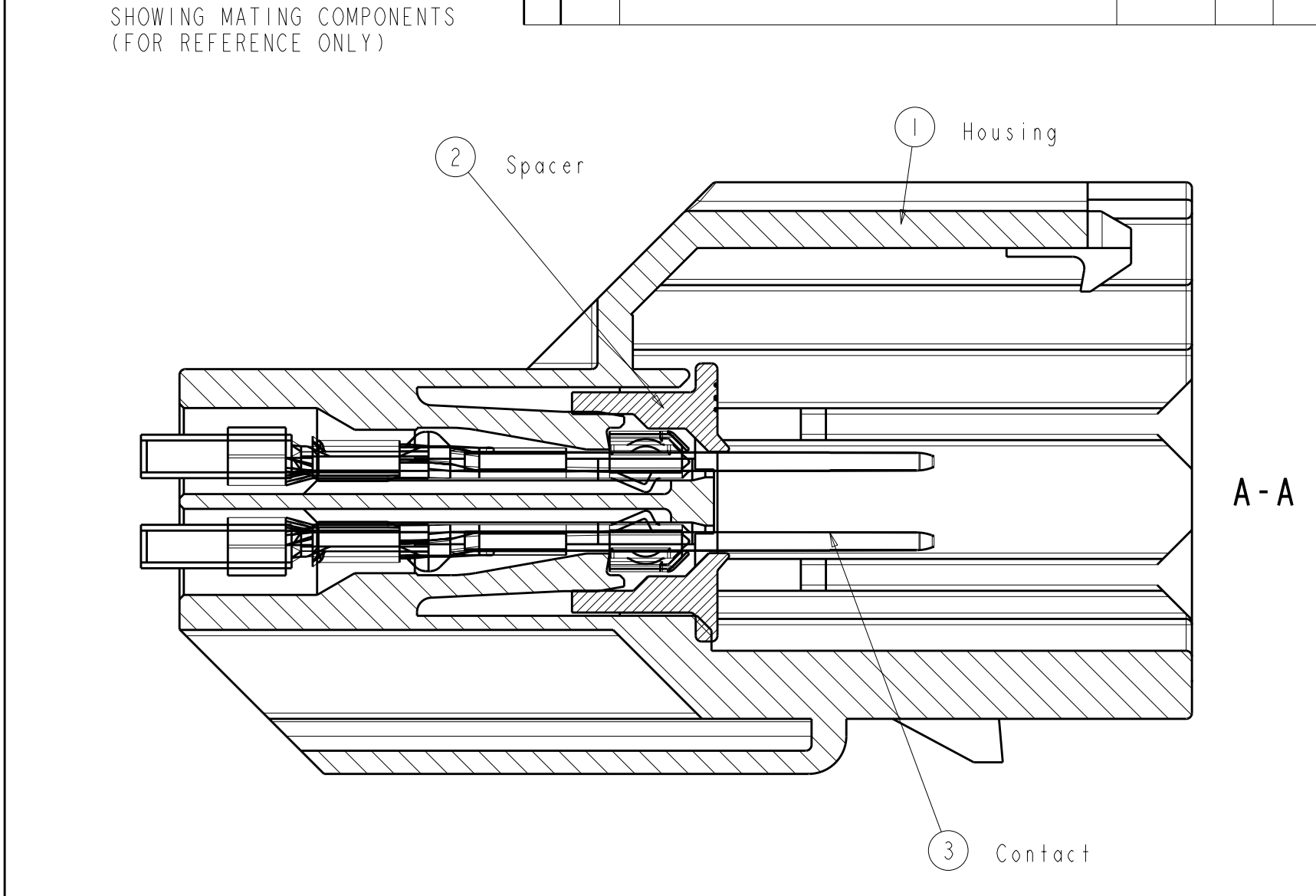


- 1 TERMINAL POSITION NUMBERS
- 2. SPACER SHIP IN PRE ASSEMBLED POSITION
- 3 PART NUMBER AND DATE CODE
- 4 TPA CAN BE SHIPPED IN THIS POSITION OR ROTATED 180°.
- 5 CAVITY NUMBER
- 6. PACKING: CONNECTOR ASSEMBLIES BULK PACKED IN CARDBOARD BOX



LOC	DIST	REVISIONS			
P	LT#	DESCRIPTION	DATE	DWN	APVD
C		REV PER 0K80-0325-04	23NOV2004	RDW	DMR
D		REVISED PER ECR-06-013751	29JUN2006	AH	DS
DI		REV PER ECR-10-012906	24JUN2010	VSS	DZ



KEYING OPTIONS								TYCO ASSEMBLY NUMBER		
A	B	C	D	E	F	G	H	1	2	3
6-1419167-1	1411367-1	6-7449167-2	5-7449167-5	5-1419167-6	5-7449167-7	5-7449167-8	6-7449167-9			
I	I	I	I	I	I	I	I	I	I	I
										SPACER
										PBT+PC-GF30
										RED
										MALE HOUSING KEY H
										PA66-GF35
										BLACK
										MALE HOUSING KEY G
										-
										BLACK
										MALE HOUSING KEY F
										-
										BLACK
										MALE HOUSING KEY E
										-
										BLACK
										MALE HOUSING KEY D
										-
										BLACK
										MALE HOUSING KEY C
										-
										BLACK
										MALE HOUSING KEY B
										-
										BLACK
										MALE HOUSING KEY A
										-
										BLACK
										MALE HOUSING KEY A
										-
										BLACK

DIMENSIONS: mm		TOLERANCES UNLESS OTHERWISE SPECIFIED:		DWN R. STUBBE 20JUN2002		Tyco Electronics Tyco Electronics Harrisburg, PA 17105-3608	
9 PLC ± 0.1		1 PLC ± 0.1		CHK G. STEINBACH		NAME 2X8 POS. GET MALE CONNECTOR UNSEALED; ASSEMBLY	
2 PLC ± 0.1		5 PLC ± 0.1		APVD		PRODUCT SPEC	
4 PLC ± 0.1		ANGLES		APPLICATION SPEC		SIZE CAGE CODE DRAWING NO RESTRICTED TO	
MATERIAL		FINISH		WEIGHT		A 00779 C=5-1419167-5	
				CUSTOMER DRAWING		SCALE 5:1 SHEET 1 OF 1 REV D1	