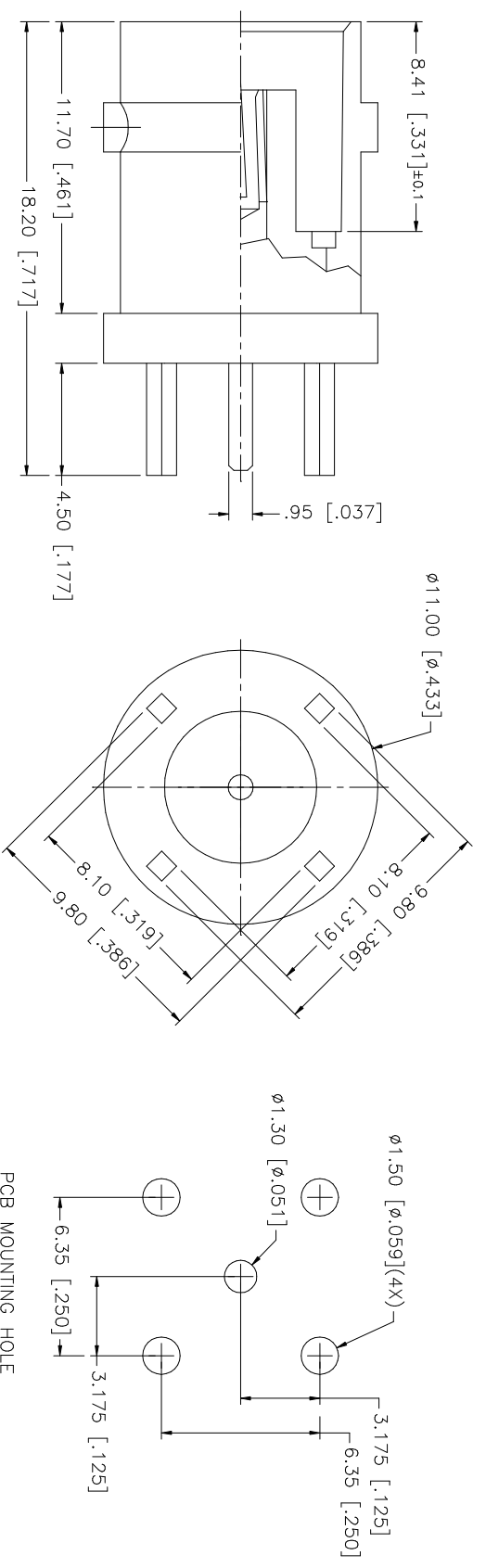


| REV. | DATE | DESCRIPTION |
|------|----------|-----------------------|
| A | 01/06/03 | UPDATE DRAWING FORMAT |



| QTY | FINISH | MATERIAL | DESCRIPTION |
|-----|---------|--------------|-------------|
| 1 | NICKEL | BRASS | LOCK RING |
| 1 | GOLD | PHOS. BRONZE | CONTACT PIN |
| 1 | NATURAL | TEFLON | INSULATOR |
| 1 | NICKEL | BRASS | BODY |

| UNLESS OTHERWISE SPECIFIED DIMENSIONS ARE IN INCHES AND FOR CUSTOMER REFERENCE ONLY. | UNLESS OTHERWISE SPECIFIED DIMENSIONS ARE IN MILLIMETERS AND FOR CUSTOMER REFERENCE ONLY. |
|--|--|
| UNLESS OTHERWISE SPECIFIED TOLERANCES FOR MILLIMETERS ARE: 0.5 - 8mm ± 0.20mm 8 - 30mm ± 0.40mm 30 - 120mm ± 0.50mm | UNLESS OTHERWISE SPECIFIED TOLERANCES FOR INCHES ARE: .020 - .315 = ± 0.007" .315 - 1.180 = ± 0.015" 1.180 - 4.724 = ± 0.020" |

| APPROVALS | DATE |
|--------------|----------|
| DRAWN G.R.S. | 01/06/03 |
| CHECKED | |
| ISSUED | |

| CAD FILE | SHEET | DWG. NO. | REV. | SIZE | SCALE |
|-------------------|--------|------------|------|------|-------|
| C:/112/112404.DWG | 1 OF 1 | 112404.DWG | A | A | NA |

| PART DESCRIPTION |
|-----------------------------|
| BNC P.C. MOUNT RECEIPT JACK |
| 50 ohm TF-4 POST |
| PART NO. 112404 |