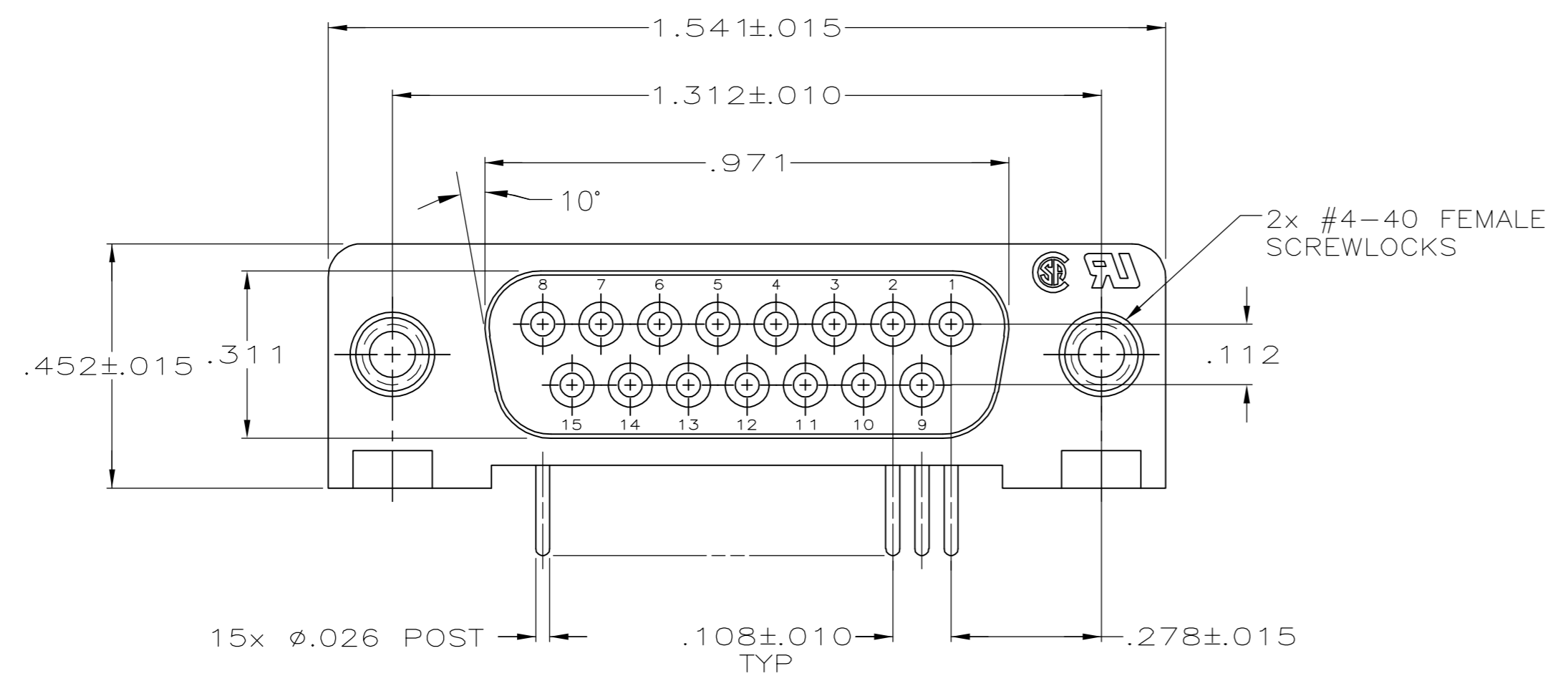
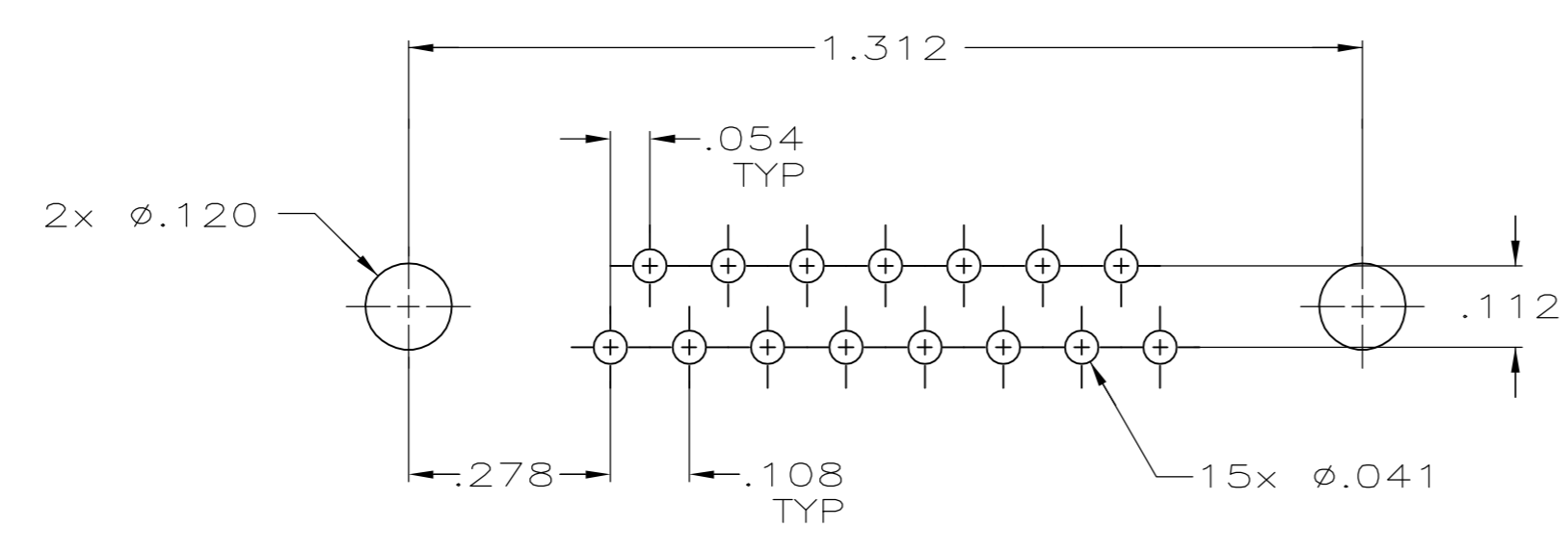
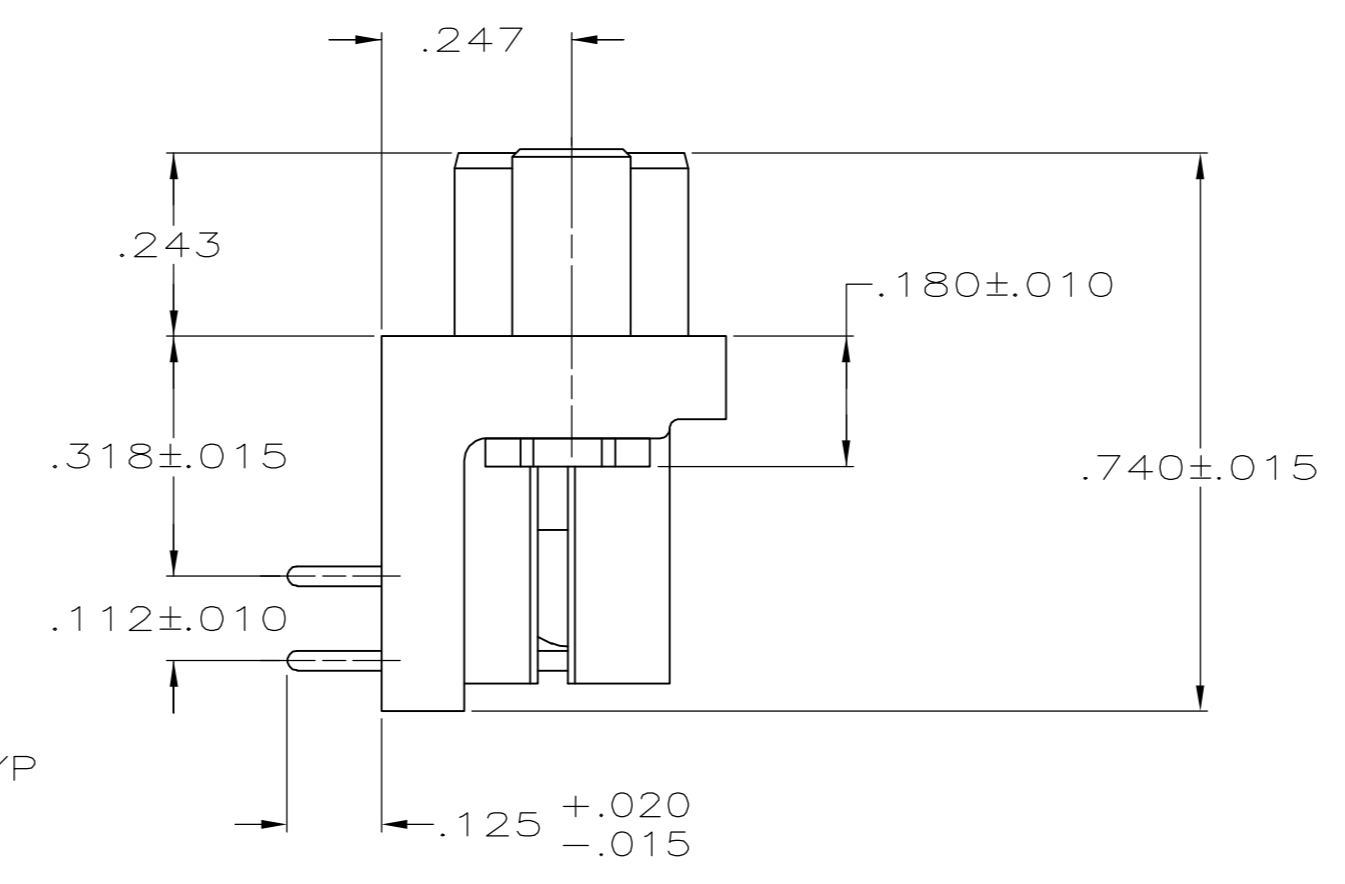
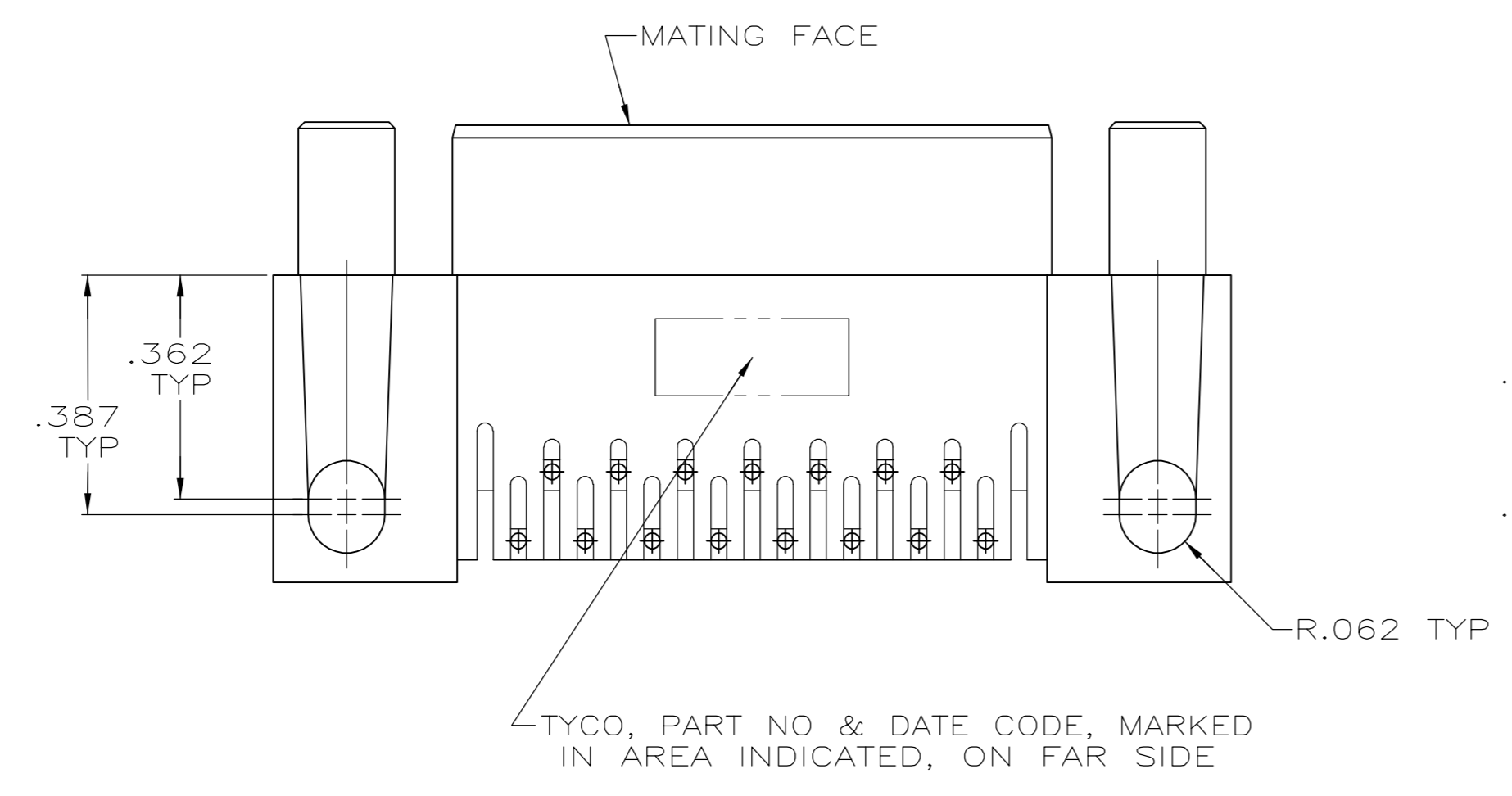


LOC		DIST		REVISIONS			
P	LTR	DESCRIPTION	DATE	DWN	APVD		
0		RELEASED PER EC 0513-0087-05	15SEP05	GP	JG		



- 1 HOUSING: FLAME RETARDANT, 94V-0 RATED, GLASS FILLED NYLON OR POLYESTER, COLOR: BLACK.  
CONTACTS: PHOS BRONZE.  
SCREWLOCKS: ZINC.
- 2 REFER TO APPLICATION SPEC FOR RECOMMENDED P.C. BOARD MOUNTING DIMENSIONS FOR AUTOMATIC INSERTION.
- 3 CONTACTS: PLATED WITH .000030 MIN GOLD FOR LENGTH OF .055 MIN FROM MATING END, .000100 MIN TIN ON SOLDER END, ALL OVER .000050 MIN NICKEL ON ENTIRE CONTACT.  
SCREWLOCKS: CLEAR CHROMATE.



P.C. BOARD MOUNTING DIMENSIONS  $\Delta$

**COPYRIGHT 2005  
 TYCO ELECTRONICS CORP  
 ALL RIGHTS RESERVED**

5745396-2  
 PART NUMBER

THIS DRAWING IS A CONTROLLED DOCUMENT.		DWN: G.PETERS	15SEP05	<b>tyco</b> Electronics	Tyco Electronics Corporation Harrisburg, PA 17105-3608	
DIMENSIONS: INCHES		CHK: S.BOLASH	15SEP05		APVD: M.WALMSLEY	15SEP05
TOLERANCES UNLESS OTHERWISE SPECIFIED:		0 PLC ± -		PRODUCT SPEC	108-40025	
1 PLC ± -		2 PLC ± -		APPLICATION SPEC	114-40015	
3 PLC ± .005		4 PLC ± -		SIZE	A1	
ANGLES ± 2		FINISH		WEIGHT	-	
MATERIAL		CUSTOMER DRAWING		CAGE CODE	00779	
				DRAWING NO	5745396	
				RESTRICTED TO	-	
				SCALE	4:1	
				SHEET	1 OF 1	
				REV	0	