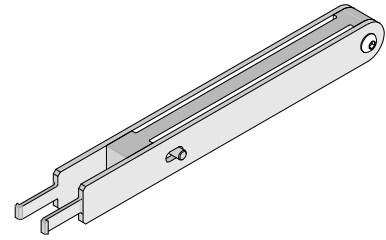




Extractor Tool

**Application Tooling
Specification Sheet**



Order No. 63824-3000

FEATURES

- This tool is designed to unlock the 171228-0002 TPA from the 31567 series Headers.

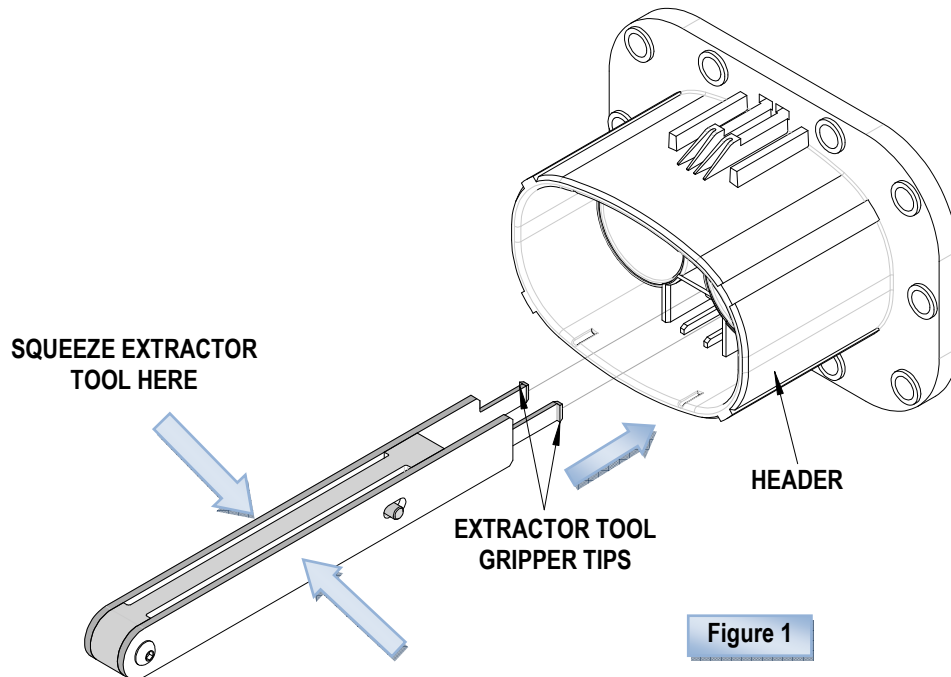
SCOPE

Products: TPA, HVIL EPIC 200 171228-0002 for Imperium 31567 Series Headers.

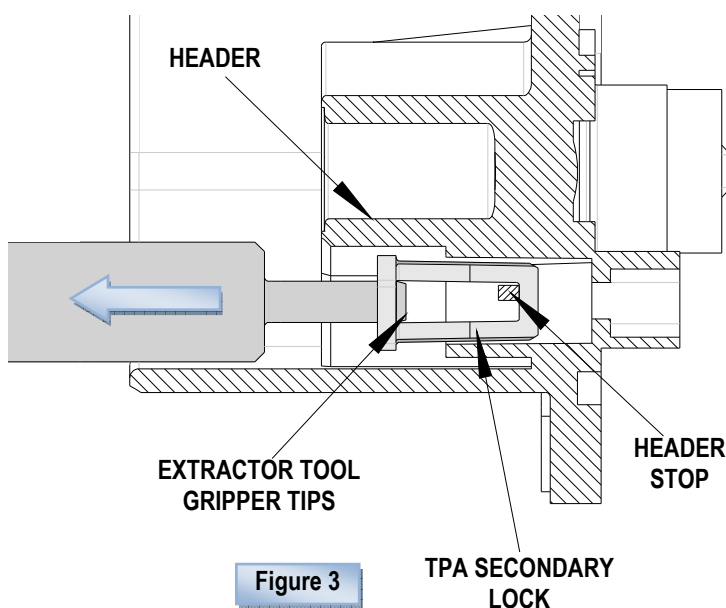
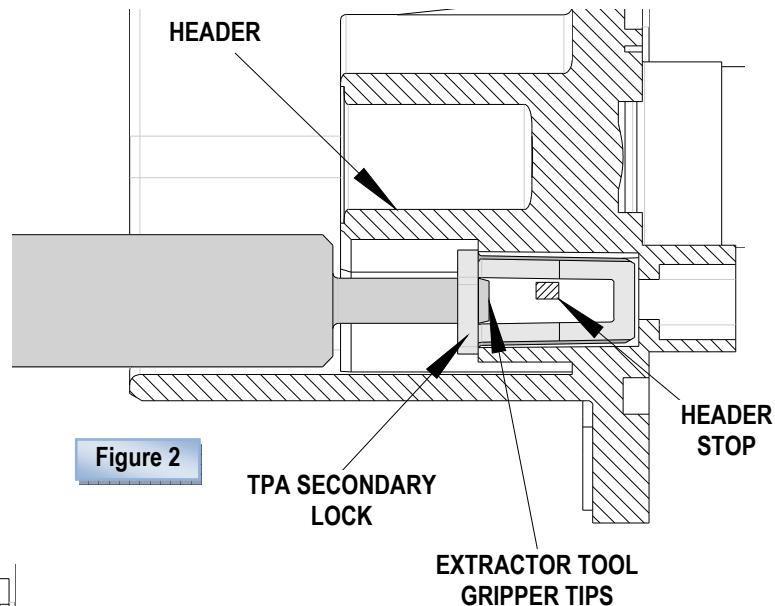
TPA Order No.	Series No.	Header Order No.					
171228-0002	Header 31567	31567-1000	31567-2000	31567-3000	31567-3001	31567-3002	31567-3003
		31567-3004	31567-3005	31567-3006			
	Main Assembly 171467	171467-1000	171467-1001	171467-1002	171467-1003	171467-1004	171467-1005
		171467-1006					

OPERATION

1. Line up the Extractor Tool to the 2 slots on the Secondary Locking Key (TPA), squeeze the tool gripper tips if necessary to insert the tool into the TPA. See Figure 1.



2. Squeeze the tool grippers together on the tool handle. This will help catch the TPA slot edges and prevent the extractor tool slipping out of the TPA. See Figure 2.



3. When the TPA is engaged, gently pull the extractor tool in the arrow direction shown, maintaining a constant pressure on the Extractor tool handle until the Secondary Locking Key (TPA) stops. When it stops the TPA is unlocked. Do not pull the TPA out of the connector. See Figures 3.

Molex does not offer repair parts for Extractor Tools due to the inexpensive nature of these tools.

CAUTION: This extractor tool should be used to extract the TPA only. Using it for unintended purposes may cause injury or damage to parts. Be careful not to damage the TPA slots.

Contact Information

For more information on Molex application tooling please contact Molex at 1-800-786-6539.

Visit our Web site at <http://www.molex.com>