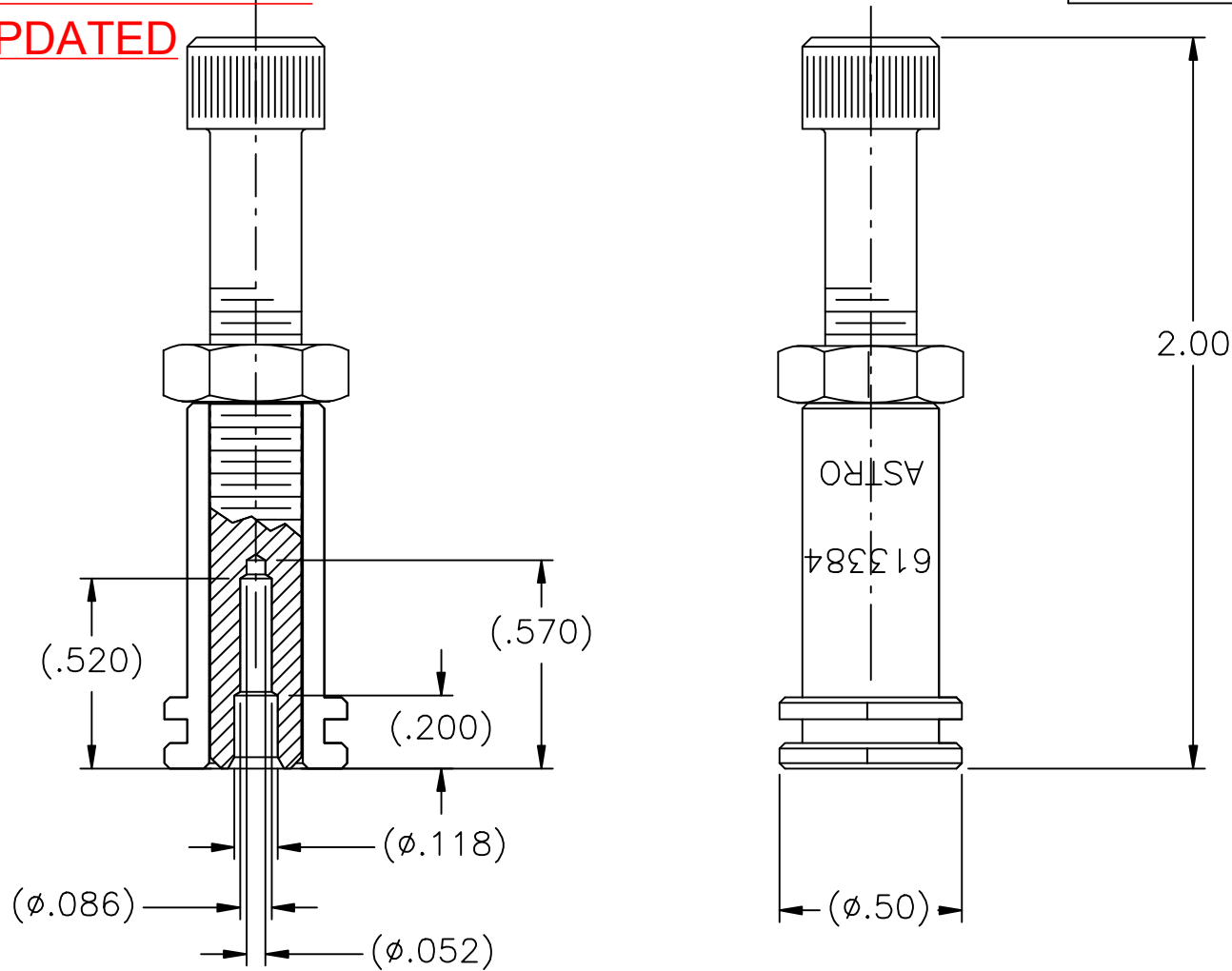



**UNCONTROLLED DOCUMENT  
WILL NOT BE UPDATED**

# 613384-ENV



NOTES: 1. THIS IS AN AUTOCAD DRAWING, DO NOT CHANGE MANUALLY.

<p>THESE DRAWINGS, SPECIFICATIONS OR OTHER DATA ARE AND REMAIN, THE PROPERTY OF ASTRO TOOL CORP. AND MUST BE RETURNED UPON REQUEST. THEY CONTAIN INFORMATION OWNED AND/OR DEVELOPED BY ASTRO AT ITS OWN PRIVATE EXPENSE AND MAY NOT BE USED, DUPLICATED OR DISCLOSED TO OTHERS, IN WHOLE OR IN PART FOR DESIGN, MANUFACTURE OR PROCUREMENT WITHOUT THE WRITTEN PERMISSION OF ASTRO TOOL CORP. EACH AND EVERY TIME.</p>					SCALE: N.T.S.	<p>UNLESS OTHERWISE SPECIFIED: DECIMALS: .XXX ± .005 .XX ± .010 .X ± .030</p>	 <p>21615 S.W. TUALATIN VALLEY HWY., BEAVERTON OR 97006</p>	CAGE 58164
					DWN BY: DYO			<p>DESCRIPTION: ENVELOPE DRAWING: 613384 ADJUSTABLE LOCATOR ASSEMBLY</p>
REV.	DESCRIPTION	BY	DATE	APR.	APPROVED:	ANGLES: ± 1°	PART NO.	A 613384-ENV
A	NEW RELEASE.	DYO	05-24-10	MMK	DATE: 05-24-10			