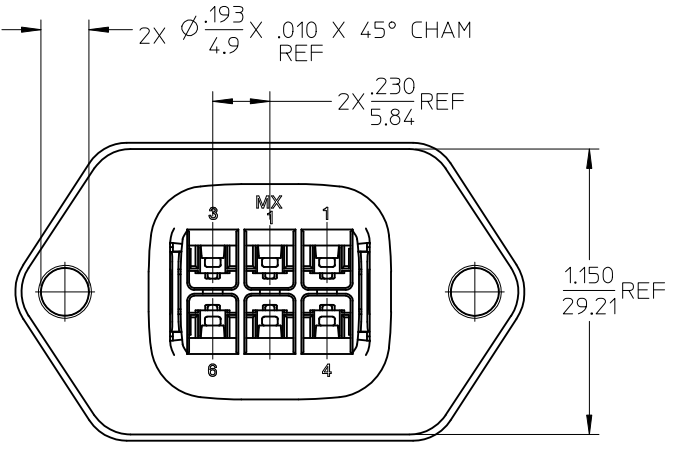
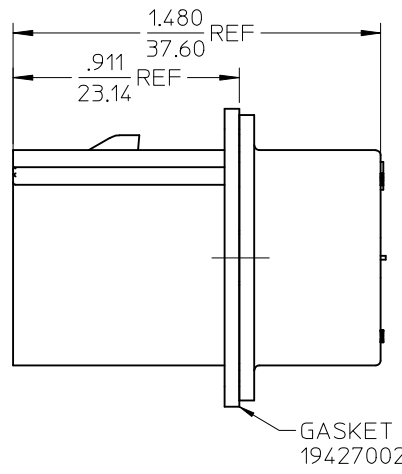
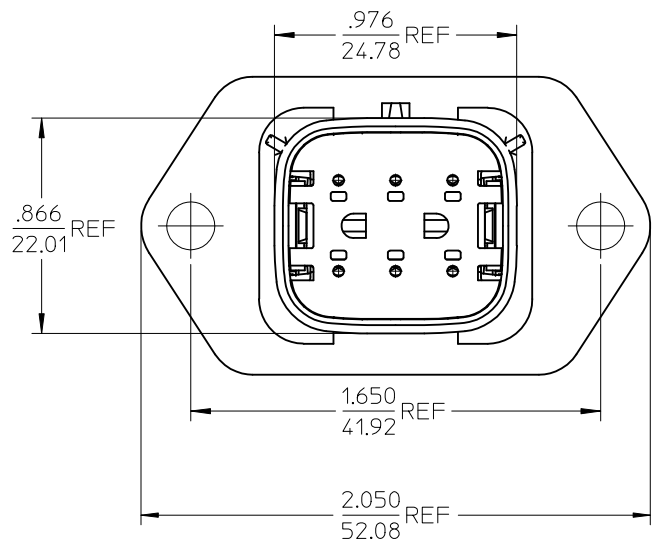


ASSEMBLED VIEW
SCALE 1:1



GASKET
194270021

(B)

- NOTES:
1. MATERIALS:
HOUSING: POLYESTER (PBT), GLASS FILLED, UL94 V-0,COLOR: BLACK
GASKET: EPDM RUBBER
 2. PRODUCT SPECIFICATION: PS-19417-001.
 3. PACKAGING SPECIFICATION: PK-19429-001.
 4. GASKETS, IF REQUIRED FOR THE ASSEMBLIES,ARE BULK PACKAGED IN A SEPARATE BAG.
 5. USE CONNECTOR WITH MALE CRIMP TERMINAL: SERIES 19417.
 6. MATES WITH: 19418 SERIES RECEPTACLE ASSEMBLIES.
 7. RECOMMENDED MOUNTING HARDWARE: (2) #10 X .62/15.8 LONG PLASTIC THREAD CUTTING SCREWS, RECOMMENDED TORQUE 15-17 IN.-LBS. SUGGESTED SOURCE: ITW SHAKEPROOF INDUSTRIAL BOSSCREW OR EQUIVALENT.
 8. ASSEMBLY IS ROHS COMPLIANT.

194290044	YES
194290028	NO
MATERIAL NUMBER	GASKET

REVISE NOTES EC NO: IPG2012-0161 DRWN:WLEUNG 2012/02/10 CHKD: APPR:DTITUS 2012/02/28	QUALITY SYMBOLS	GENERAL TOLERANCES (UNLESS SPECIFIED)	SCALE 2:1	DESIGN UNITS INCH
	-0 -0	mm INCH	DIMENSION STYLE IN/MM	
		4 PLACES ± --- ± --- 3 PLACES ± --- ± .015 2 PLACES ± 0.38 ± --- 1 PLACE ± --- ± ---	DRAWN BY DMYRICK CHECKED BY JPAWLICK	DATE 04/07/19 DATE 04/07/19
		ANGULAR ± 1°	APPROVED BY RDEROSS	DATE 04/07/19
	DRAFT WHERE APPLICABLE	THIS DRAWING CONTAINS INFORMATION THAT IS PROPRIETARY TO MOLEX INCORPORATED AND SHOULD NOT BE USED WITHOUT WRITTEN PERMISSION		
	MUST REMAIN WITHIN DIMENSIONS			

THIRD ANGLE PROJECTION
REVISE ON CAD ONLY
TITLE
6 WAY PLUG PANEL MOUNT ASSEMBLY W/O BOSS 22-14 AWG

MOLEX INCORPORATED

MATERIAL NO. DOCUMENT NO. SHEET NO.
SEE CHART SD-19429-012 1 OF 1