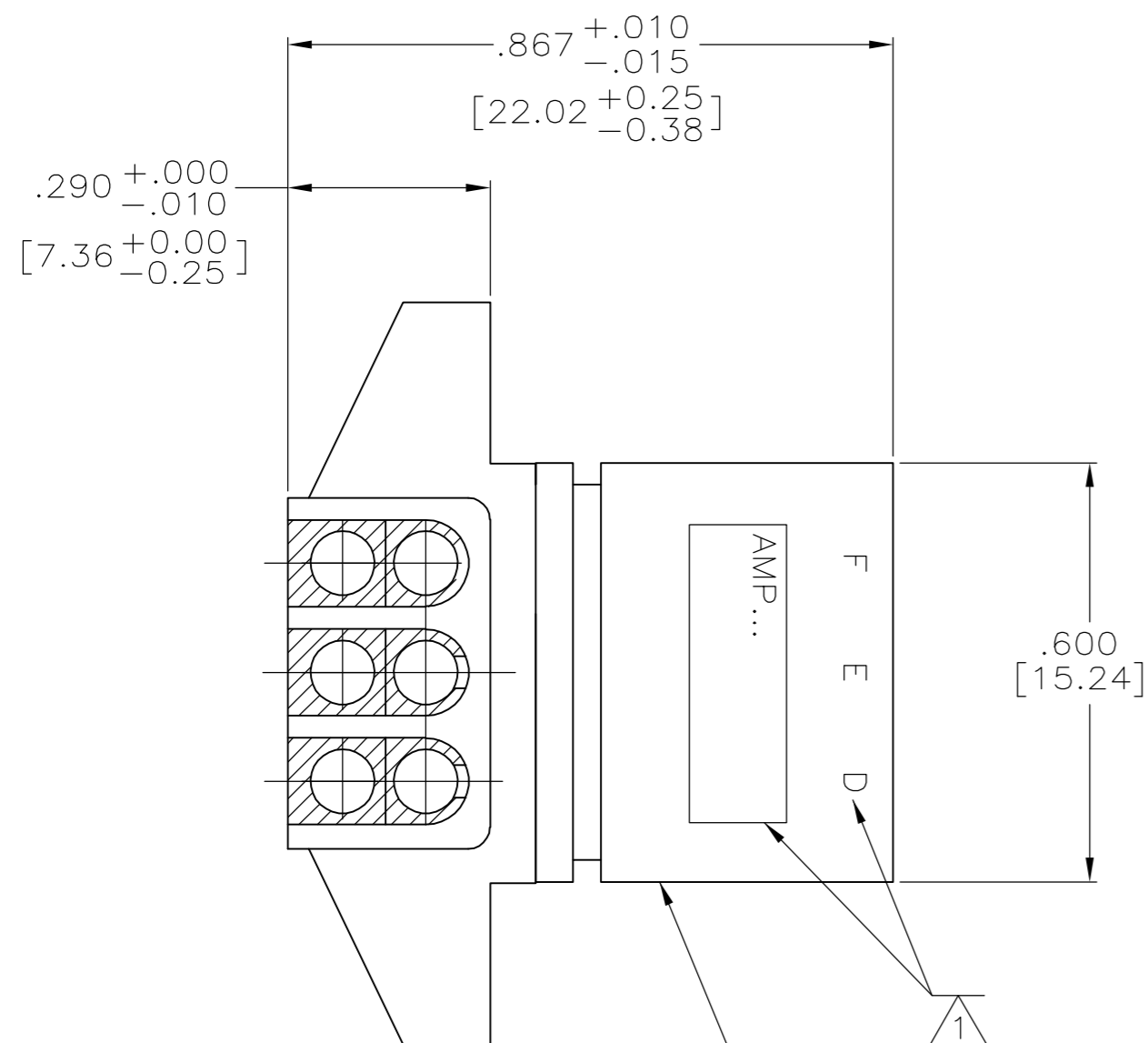


THIS DRAWING IS UNPUBLISHED. RELEASED FOR PUBLICATION - .N/A .
 © COPYRIGHT N/A BY TYCO ELECTRONICS CORPORATION. ALL RIGHTS RESERVED.

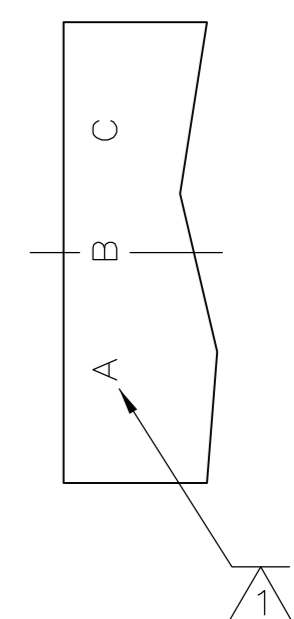
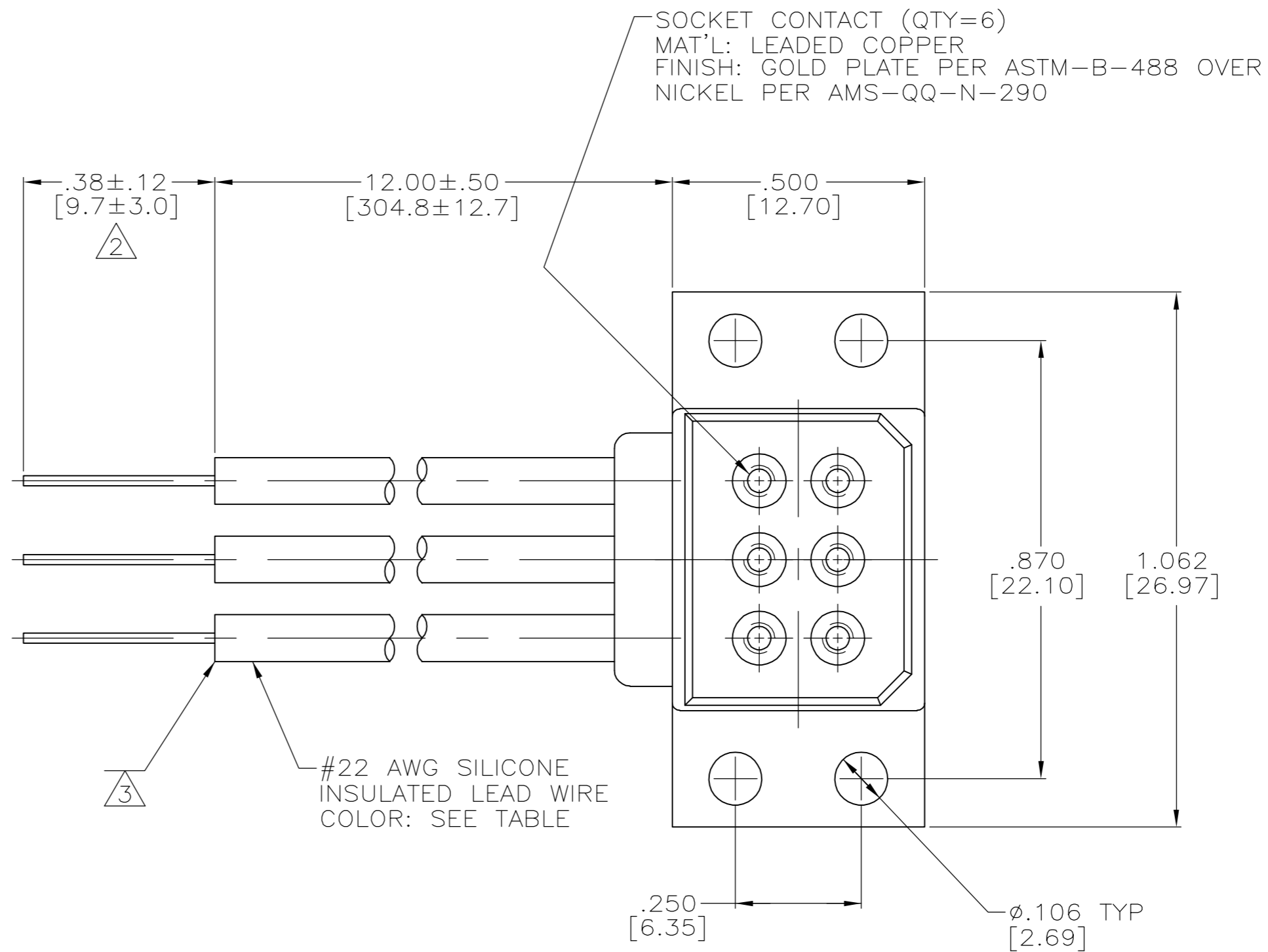
LOC	DIST	REVISIONS					
DF	SO	P	LTR	DESCRIPTION	DATE	DWN	APVD
		A		REV PER ECO-05-003302	08-05	AA	DE

CAVITY IDENT	LEAD COLOR
A	BROWN
B	RED
C	GREEN
D	BLUE
E	BLACK
F	WHITE

- ① CAVITY I.D. AND AMP INFO. MARKED PER MIL-STD-130.
- ② PIGTAILS ARE SOLDER DIPPED. (443832-1 ONLY)
- ③ INSULATION CUT, BUT NOT REMOVED. (5-443832-1 ONLY)



RCPT. SHELL
 MAT'L: POLYESTER MLDG. CMPD.
 POTTING SHELL W/ MOUNTING FLANGE
 MAT'L: POLYESTER MLDG. CMPD.



5-443832-1
 443832-1
 PART NO.

THIS DRAWING IS A CONTROLLED DOCUMENT.		DWN C.C.THOMAS 02-MAY-96	Tyco Electronics Corporation Harrisburg, Pa 17105-3608	
DIMENSIONS: INCHES [mm]		CHK C.SHELLY 13-MAY-96		
TOLERANCES UNLESS OTHERWISE SPECIFIED:		APVD C.SHELLY 13-MAY-96	NAME RECEPTACLE ASSY RT ANGLE, 6 POSN SUBMINIATURE, LGH	
0 PLC \pm - 1 PLC \pm - 2 PLC \pm .03 [0.8] 3 PLC \pm .015 [0.38] 4 PLC \pm - ANGLES \pm - FINISH SEE TABLE		APPLICATION SPEC -	SIZE A2	CAGE CODE 00779
MATERIAL SEE TABLE		WEIGHT -	DRAWING NO C=443832	RESTRICTED TO -
		CUSTOMER DRAWING	SCALE 4:1	SHEET 1 OF 1