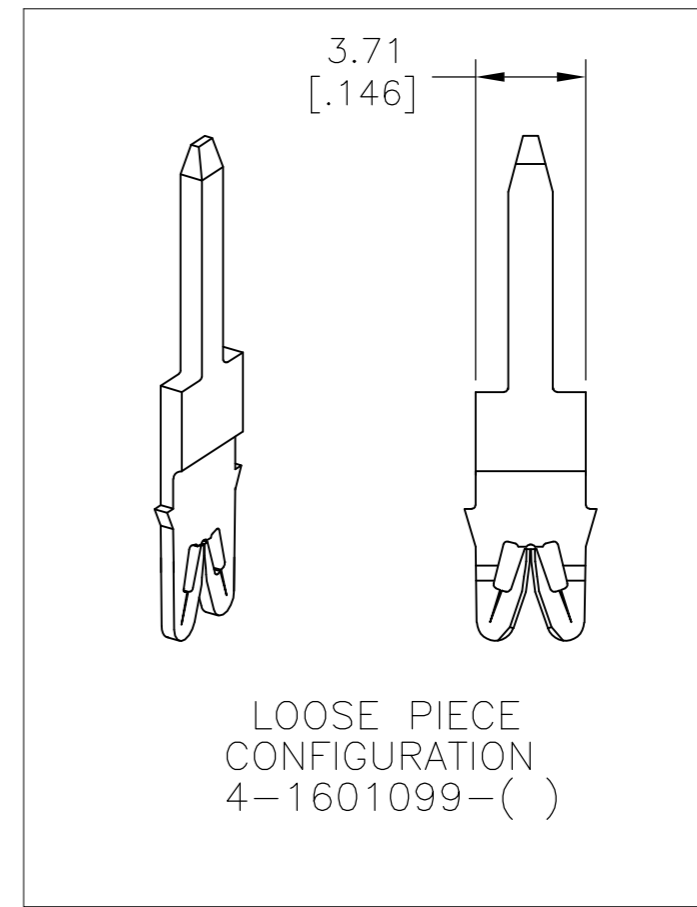
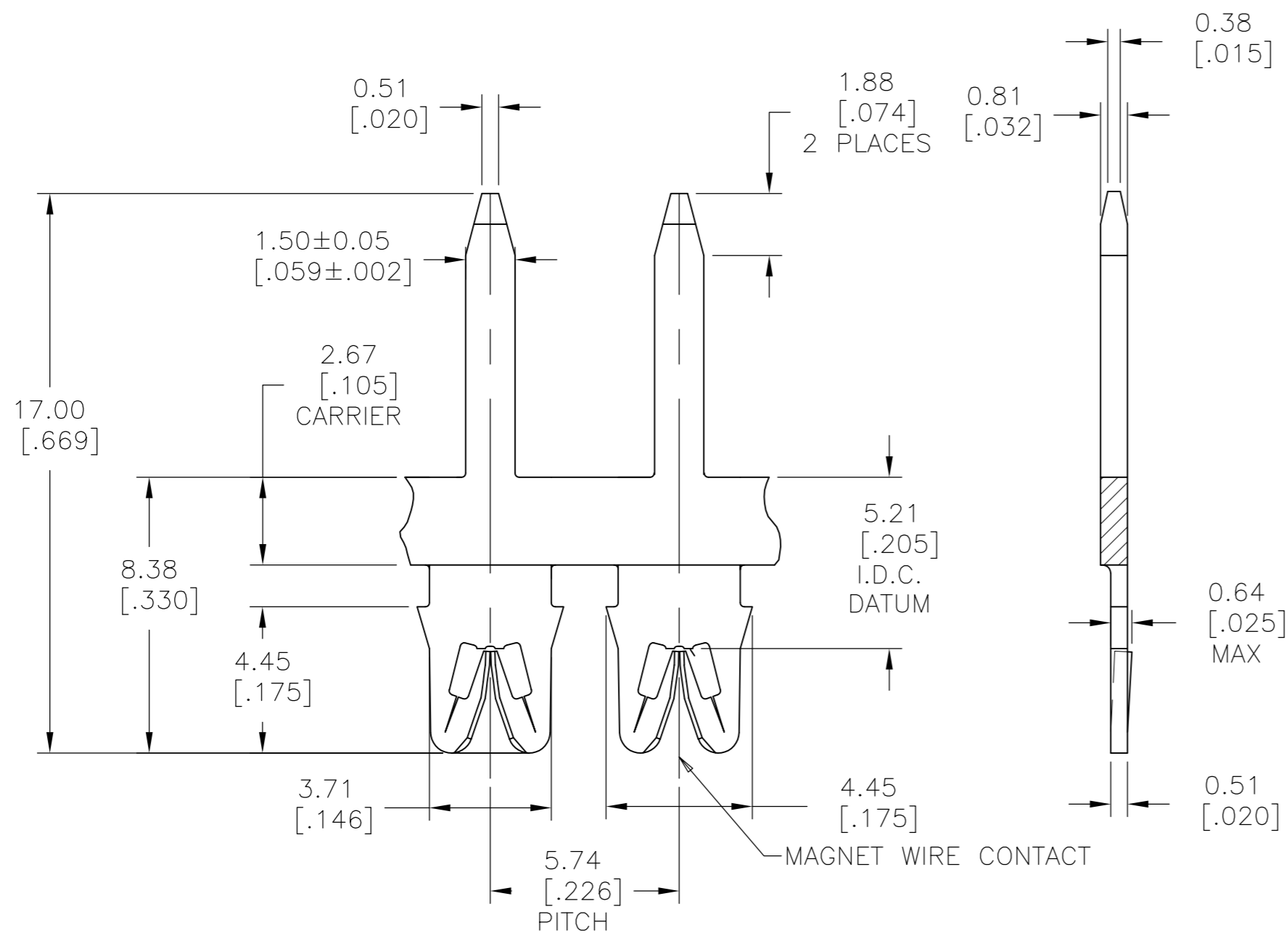
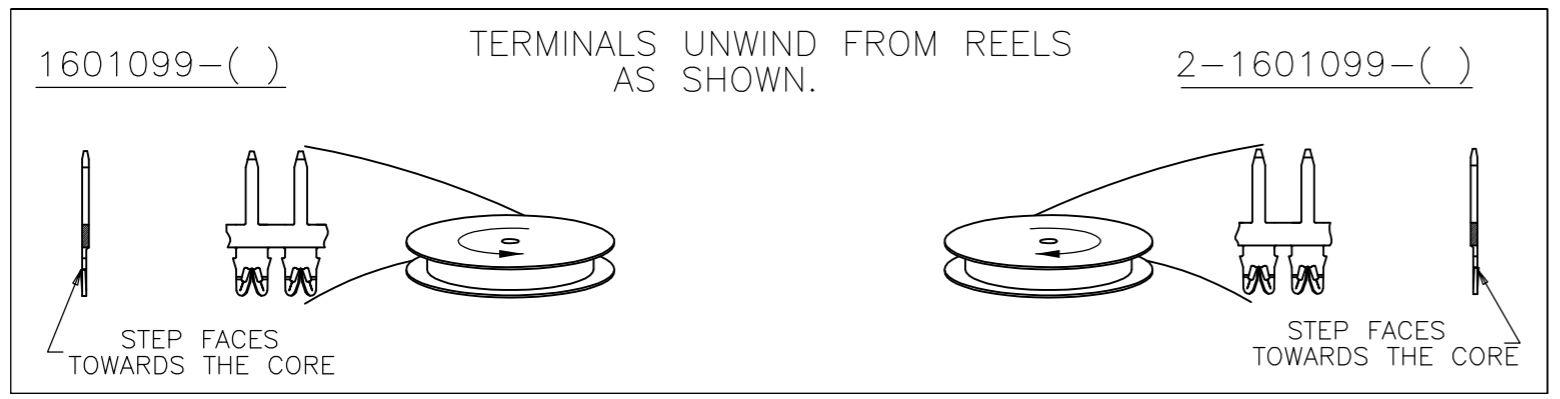


THIS DRAWING IS UNPUBLISHED. RELEASED FOR PUBLICATION
 © COPYRIGHT BY TYCO ELECTRONICS CORPORATION. ALL INTERNATIONAL RIGHTS RESERVED.

LOC	DIST	REVISIONS			
P	LTR	DESCRIPTION	DATE	DWN	APVD
AF	50	C1	REVISED PER ECO-10-013696	19AUG10	HMR CJ



- 1 SPECIFICATIONS:
MAGNET WIRE: #34 - #18 AWG
0.16mm(.006) - 1.02mm(.040)DIA. COPPER
- 2 POCKET RECOMMENDATION: # 1601431
- 3 TERMINAL APPLICATION TO COMPLY WITH
TYCO ELECTRONICS SPECIFICATION 114-13166
FIGURE 10.
- 4 POST PLATED 0.00305-0.00508[.000120-.000200]
TIN OVER 0.00127 [.000050]. MIN NICKEL.
- 5 PRE- PLATED 0.00305-0.00508[.000120-.000200]
TIN OVER 0.00127 [.000050] MIN NICKEL.
- 6 PRELIMINARY - NOT FOR PRODUCTION
- 7 TWO(2) TERMINALS SHOWN FOR ILLUSTRATION
PURPOSES ONLY.



UNPLATED	131-170-000	2-1601099-1
5	-	6 1601099-3
4	-	1601099-2
UNPLATED	131-169-000	1601099-1
FINISH	REFERENCE PART NUMBER	PART NUMBER

THIS DRAWING IS A CONTROLLED DOCUMENT.		DWN MS FEHER 11JAN2002	Tyco Electronics Corporation Harrisburg, PA 17105-3608	
DIMENSIONS: mm [INCHES]		CHK M.FEHER 11JAN2002	NAME	
TOLERANCES UNLESS OTHERWISE SPECIFIED:		APVD K.RANDOLPH 11JAN2002	STANDARD RANGE WIRE TO 1.50 X 0.81 TAB SIAMEZE TERMINAL	
0 PLC ± -	1 PLC ± -	PRODUCT SPEC	SIZE	CAGE CODE
2 PLC ± 0.13[.005]	3 PLC ± -	108-2085	A2	00779
4 PLC ± -	ANGLES ± 2°	APPLICATION SPEC	DRAWING NO	RESTRICTED TO
MATERIAL BRASS, 3/4 HARD	FINISH SEE TABLE	WEIGHT -	C=1601099	-
CUSTOMER DRAWING			SCALE 6:1	SHEET 1 of 1
			REV C1	

1601099

A